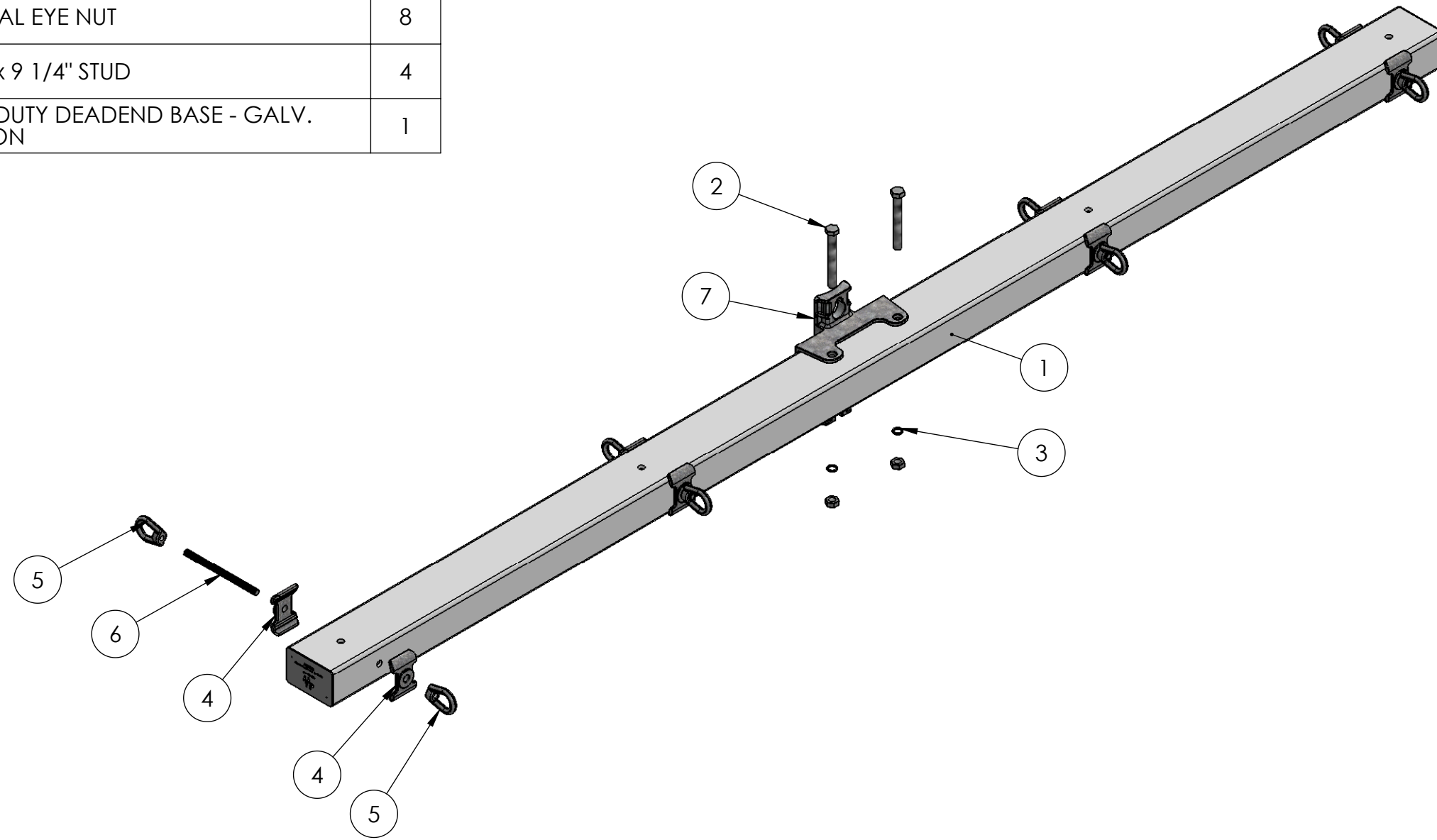



ITEM NO.	PART NUMBER	DESCRIPTION	QTY.
1	P90012Y	PY FOAMED TUBE	1
2	F614574	3/4" x 6" BOLT / NUT ASSEMBLY	2
3	F338983	3/4" LOCKWASHER	2
4	F411241	5/8" PENTECH WASHER	8
5	F392614	5/8" OVAL EYE NUT	8
6	P67577	5/8 - 11 x 9 1/4" STUD	4
7	P69198	HEAVY DUTY DEADEND BASE - GALV. CAST IRON	1

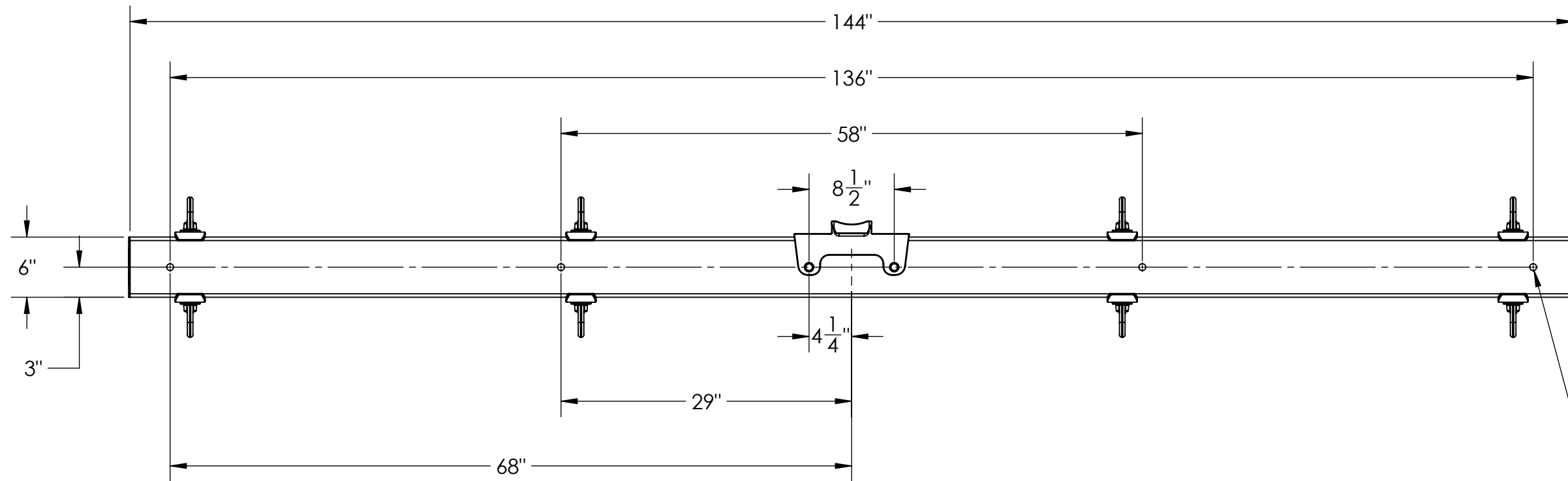
PAPER SIZE		DRAWING NUMBER	
B		3006-015	
REVISIONS			
REV.	ECO BY	ECO DATE	ECO NUMBER
A	TJK	1/2/14	00660
B	MHK	11/04/14	01330



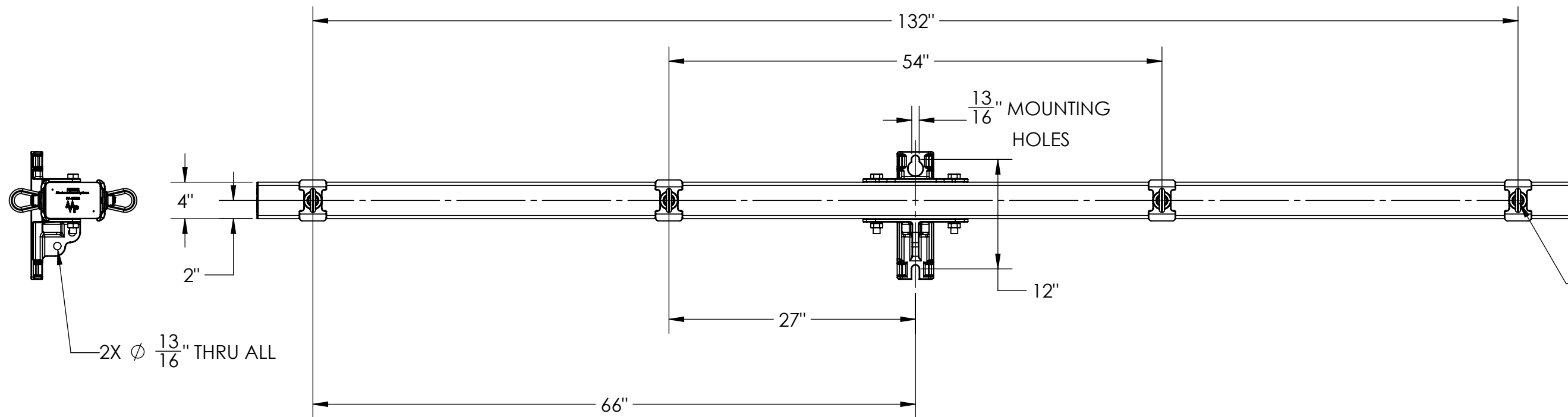
CATALOG NUMBER: PY12SD349-4E-SM	CUSTOMER NUMBER: N/A	PART NUMBER: F490107	DRAWING NUMBER: 3006-015	DO NOT SCALE DRAWING
PHYSICAL PROPERTIES UNLESS OTHERWISE SPECIFIED DIMENSIONS ARE IN: INCHES			SHEET: 1 OF 2	CAD GENERATED DRAWING DO NOT MANUALLY UPDATE
MATERIAL: FIBERGLASS	TOLERANCES ARE:	 MACLEAN POWER SYSTEMS 7801 PARK PLACE RD. YORK, SC. 29745 TEL. (803) 628-2100 FAX: (803) 628-2139	DRAWING DESCRIPTION: PY DEADEND CROSSARM	DESIGN DATE: 11/12/18
APPROX. WEIGHT : 121 LBS (B)	.XX +/- .03		DRAWN BY: TJK	ENGINEER: mkadel
VOLUME: IN3	.XXX +/- .015		APPROVED: 11/04/14	SCALE: 1:12.5
	X/XX +/- 1/32		PRODUCT LINE: CROSSARMS	
	ANGLES +/- 1°			

THIS DRAWING CONTAINS CONFIDENTIAL INFORMATION THAT IS THE PROPERTY OF MACLEAN POWER, L.L.C. ("MACLEAN"). USE OF MACLEAN'S CONFIDENTIAL INFORMATION WITHOUT MACLEAN'S EXPRESS WRITTEN CONSENT IS STRICTLY PROHIBITED AND MAY EXPOSE YOU TO LEGAL LIABILITY. IF YOU BELIEVE THAT YOU RECEIVED THIS MATERIAL IN ERROR, PLEASE DESTROY IT OR RETURN IT TO "MACLEAN POWER, L.L.C., 7801 PARK PLACE RD., YORK, SOUTH CAROLINA 29745, USA."

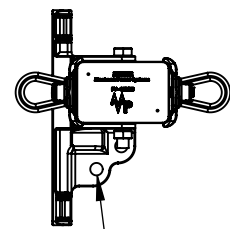
PAPER SIZE	DRAWING NUMBER
B	3006-015



4X Ø 11/16" THRU ALL



4X Ø 11/16" THRU ALL



2X Ø 13/16" THRU ALL

CATALOG NUMBER: PY12SD349-4E-SM		CUSTOMER NUMBER: N/A		PART NUMBER: F490107		DRAWING NUMBER: 3006-015		DO NOT SCALE DRAWING	
PHYSICAL PROPERTIES UNLESS OTHERWISE SPECIFIED DIMENSIONS ARE IN: INCHES				TOLERANCES ARE: .XX +/- .03 .XXX +/- .015 X/XX +/- 1/32 ANGLES +/- 1°		SHEET: 2 OF 2		CAD GENERATED DRAWING DO NOT MANUALLY UPDATE	
						DRAWING DESCRIPTION: PY DEADEND CROSSARM		DESIGN DATE: 11/12/18	
MATERIAL: FIBERGLASS		APPROX. WEIGHT : N/A		VOLUME: IN3		PRODUCT LINE: CROSSARMS		DRAWN BY: TJK	
								ENGINEER: mkadel	
								APPROVED: 11/04/14	
								SCALE: 1:12.5	

THIS DRAWING CONTAINS CONFIDENTIAL INFORMATION THAT IS THE PROPERTY OF MACLEAN POWER, L.L.C. ("MACLEAN"). USE OF MACLEAN'S CONFIDENTIAL INFORMATION WITHOUT MACLEAN'S EXPRESS WRITTEN CONSENT IS STRICTLY PROHIBITED AND MAY EXPOSE YOU TO LEGAL LIABILITY. IF YOU BELIEVE THAT YOU RECEIVED THIS MATERIAL IN ERROR, PLEASE DESTROY IT OR RETURN IT TO "MACLEAN POWER, L.L.C., 7801 PARK PLACE RD., YORK, SOUTH CAROLINA 29745, USA."



7801 PARK PLACE RD.
YORK, SC. 29745
TEL. (803) 628-2100 FAX: (803) 628-2139