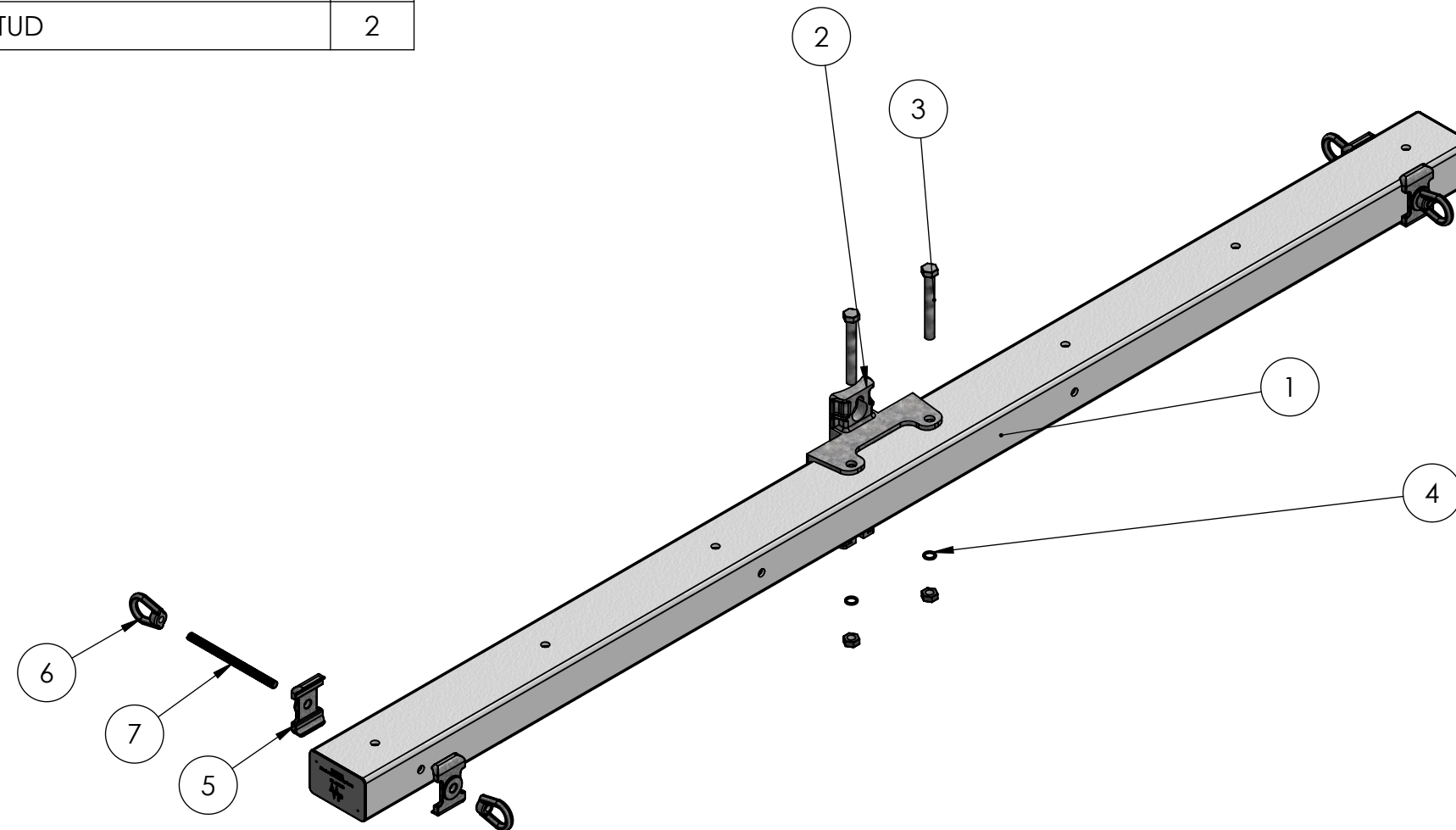


ITEM NO.	PART NUMBER	DESCRIPTION	QTY.
1	P90010Y	PY FOAMED TUBE	1
2	P69198A	HEAVY DUTY DEADEND BASE - GALV. CAST IRON	1
3	F614574	3/4" x 6" BOLT / NUT ASSEMBLY	2
4	F338983	3/4" LOCKWASHER	2
5	F411241	5/8" PENTECH WASHER	4
6	F392614	5/8" OVAL EYE NUT	4
7	P67577	5/8 - 11 x 9 1/4" STUD	2

PAPER SIZE		DRAWING NUMBER	
B		3006-018	
REVISIONS			
REV.	ECO BY	ECO DATE	ECO NUMBER
A	TJK	10/11/13	00558



CATALOG NUMBER: PY10SD005-2E-SM	CUSTOMER NUMBER: N/A	PART NUMBER: F490021	DRAWING NUMBER: 3006-018	DO NOT SCALE DRAWING
PHYSICAL PROPERTIES UNLESS OTHERWISE SPECIFIED DIMENSIONS ARE IN: INCHES TOLERANCES ARE: .XX +/- .03 .XXX +/- .015 X/XX +/- 1/32 ANGLES +/- 1°			SHEET: 1 OF 2	CAD GENERATED DRAWING DO NOT MANUALLY UPDATE
			DRAWING DESCRIPTION: PY DEADEND CROSSARM	DESIGN DATE: 4/2/09
MATERIAL: FIBERGLASS	APPROX. WEIGHT : 81 LBS	VOLUME: IN3	PRODUCT LINE: CROSSARMS	DRAWN BY: TJK
			APPROVED: 10/14/13	ENGINEER: mkadel
			SCALE: 1:12.5	

THIS DRAWING CONTAINS CONFIDENTIAL INFORMATION THAT IS THE PROPERTY OF MACLEAN POWER, L.L.C. ("MACLEAN"). USE OF MACLEAN'S CONFIDENTIAL INFORMATION WITHOUT MACLEAN'S EXPRESS WRITTEN CONSENT IS STRICTLY PROHIBITED AND MAY EXPOSE YOU TO LEGAL LIABILITY. IF YOU BELIEVE THAT YOU RECEIVED THIS MATERIAL IN ERROR, PLEASE DESTROY IT OR RETURN IT TO "MACLEAN POWER, L.L.C., 7801 PARK PLACE RD., YORK, SOUTH CAROLINA 29745, USA."



7801 PARK PLACE RD.
YORK, SC. 29745
TEL. (803) 628-2100 FAX: (803) 628-2139

8

7

6

5

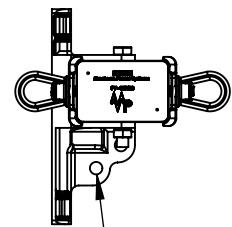
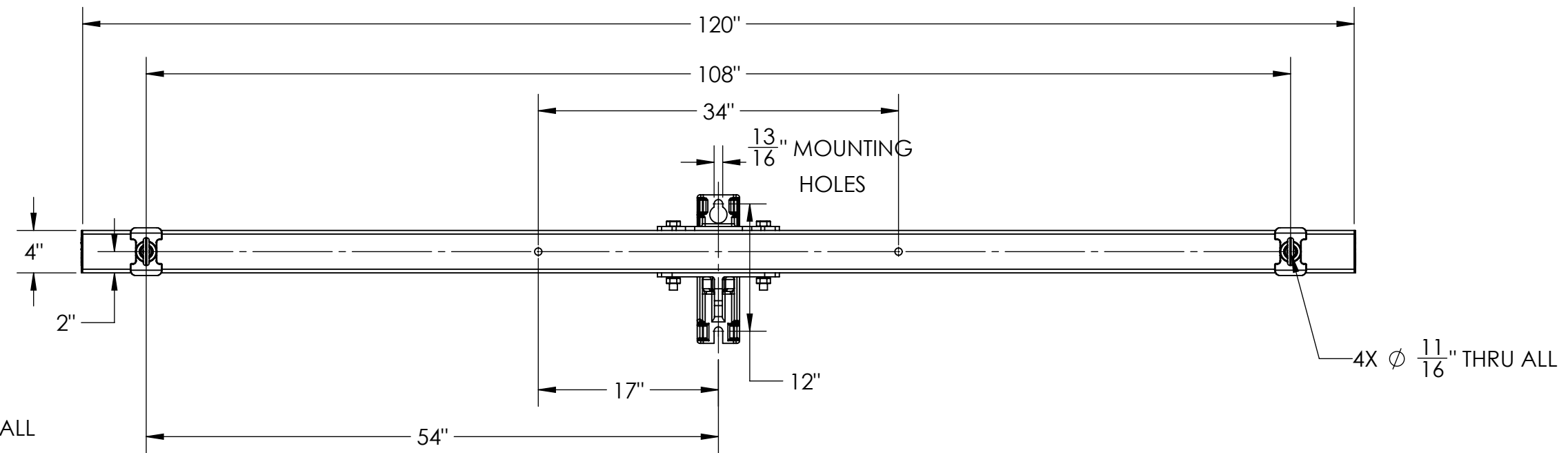
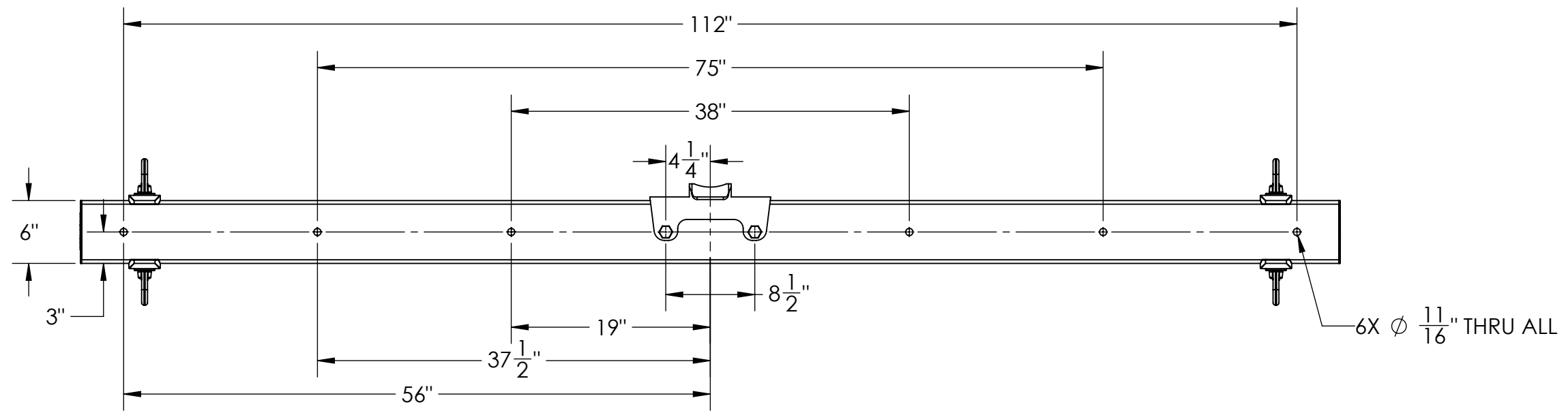
4

3

2

1

PAPER SIZE	DRAWING NUMBER
B	3006-018



2X Ø 13/16" THRU ALL

4X Ø 11/16" THRU ALL

CATALOG NUMBER: PY10SD005-2E-SM	CUSTOMER NUMBER: N/A	PART NUMBER: F490021	DRAWING NUMBER: 3006-018	DO NOT SCALE DRAWING
PHYSICAL PROPERTIES UNLESS OTHERWISE SPECIFIED DIMENSIONS ARE IN: INCHES TOLERANCES ARE: .XX +/- .03 .XXX +/- .015 X/XX +/- 1/32 ANGLES +/- 1°			SHEET: 2 OF 2	CAD GENERATED DRAWING DO NOT MANUALLY UPDATE
			DRAWING DESCRIPTION: PY DEADEND CROSSARM	DESIGN DATE: 4/2/09
MATERIAL: FIBERGLASS	APPROX. WEIGHT : 81 LBS	VOLUME: IN3	PRODUCT LINE: CROSSARMS	DRAWN BY: TJK
			SCALE: 1:12.5	ENGINEER: mkadel
				APPROVED: 10/14/13

THIS DRAWING CONTAINS CONFIDENTIAL INFORMATION THAT IS THE PROPERTY OF MACLEAN POWER, L.L.C. ("MACLEAN"). USE OF MACLEAN'S CONFIDENTIAL INFORMATION WITHOUT MACLEAN'S EXPRESS WRITTEN CONSENT IS STRICTLY PROHIBITED AND MAY EXPOSE YOU TO LEGAL LIABILITY. IF YOU BELIEVE THAT YOU RECEIVED THIS MATERIAL IN ERROR, PLEASE DESTROY IT OR RETURN IT TO "MACLEAN POWER, L.L.C., 7801 PARK PLACE RD., YORK, SOUTH CAROLINA 29745, USA."



7801 PARK PLACE RD.
YORK, SC. 29745
TEL. (803) 628-2100 FAX: (803) 628-2139

8 7 6 5 4 3 2 1