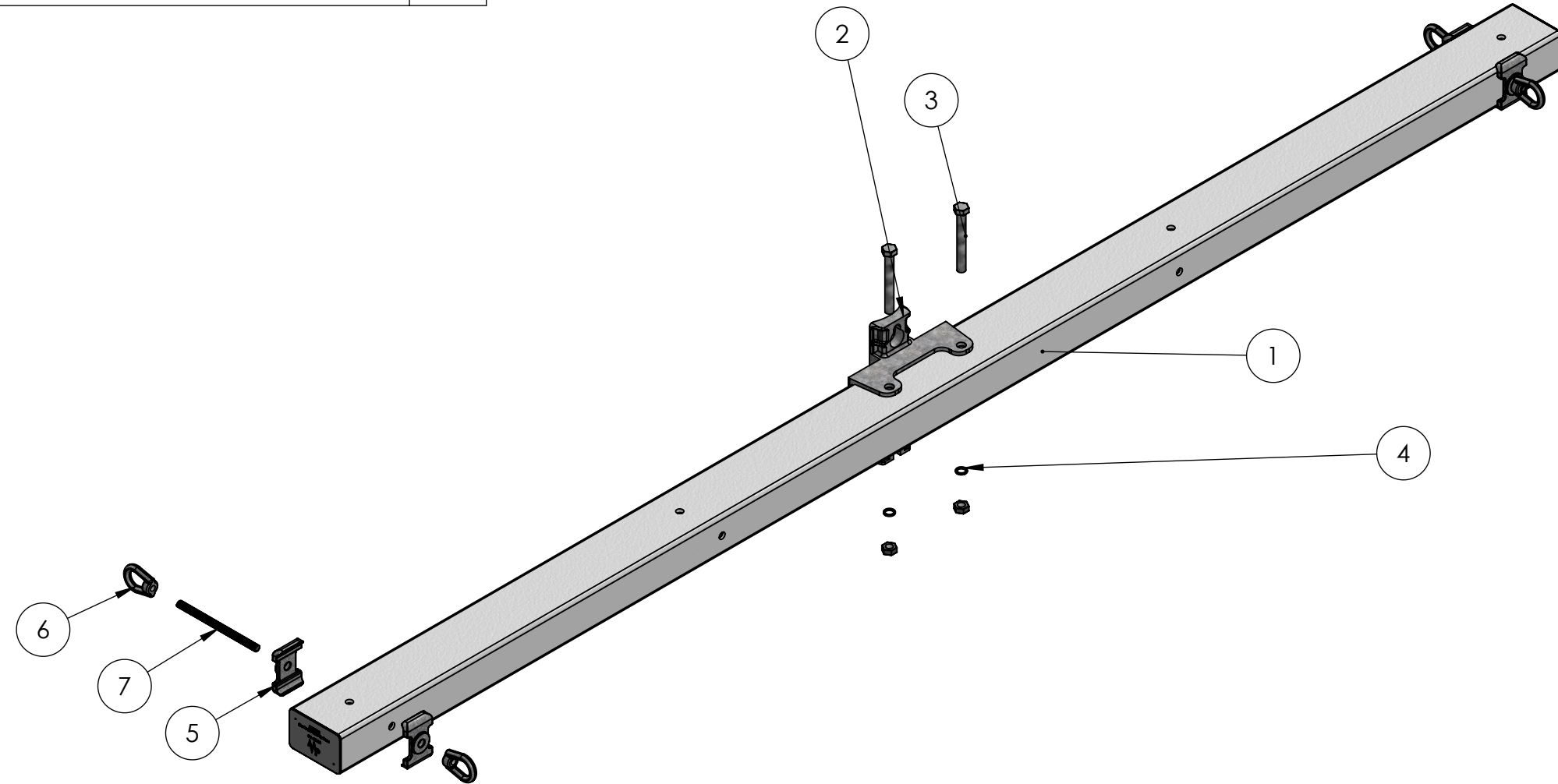



ITEM NO.	PART NUMBER	DESCRIPTION	QTY.
1	P90012Y	PY FOAMED TUBE	1
2	P69198A	HEAVY DUTY DEADEND BASE - GALV. CAST IRON	1
3	F614574	3/4" x 6" BOLT / NUT ASSEMBLY	2
4	F338983	3/4" LOCKWASHER	2
5	F411241	5/8" PENTECH WASHER	4
6	F392614	5/8" OVAL EYE NUT	4
7	P67577	5/8 - 11 x 9 1/4" STUD	2

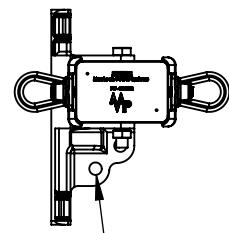
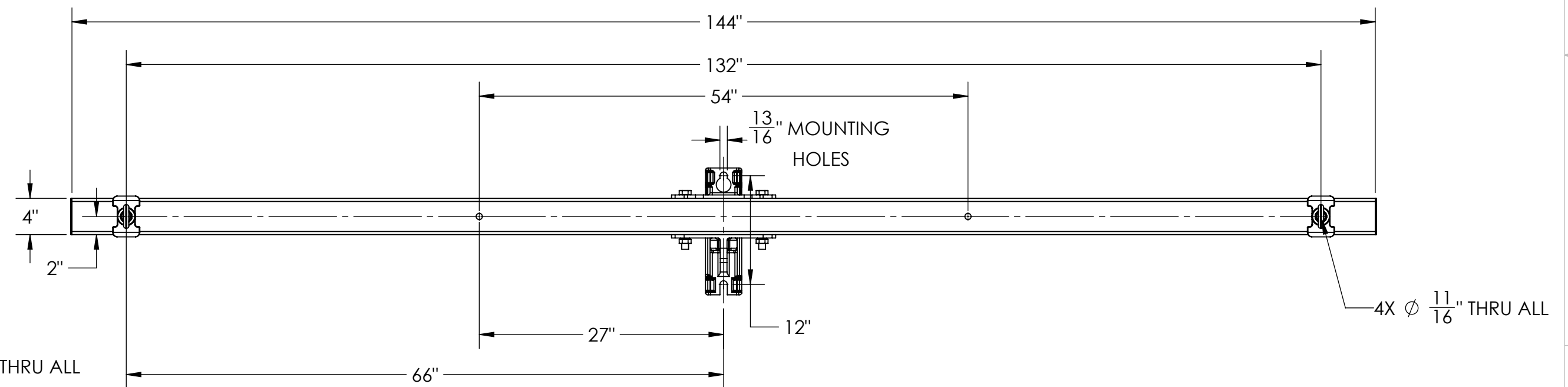
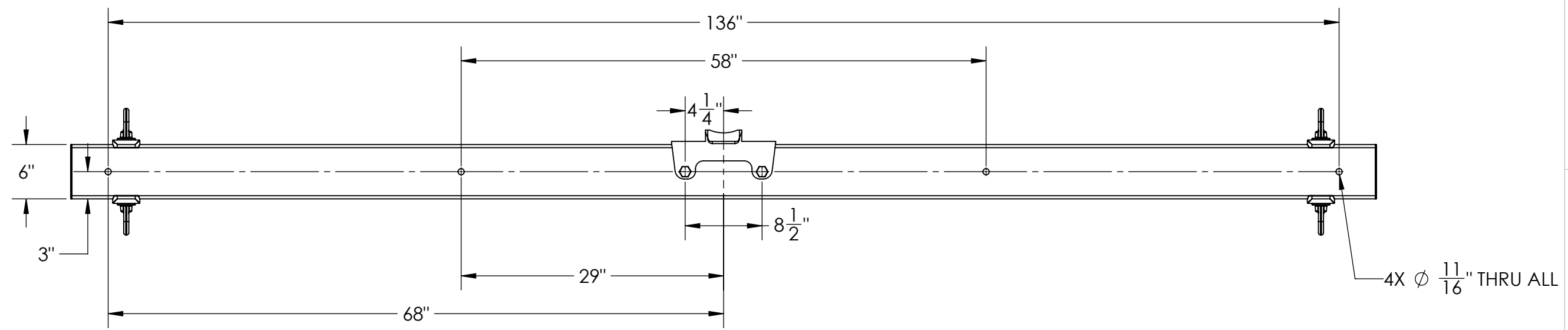
PAPER SIZE		DRAWING NUMBER	
B		3006-019	
REVISIONS			
REV.	ECO BY	ECO DATE	ECO NUMBER
A	TJK	10/11/13	00558



CATALOG NUMBER: PY12SD349-2E-SM	CUSTOMER NUMBER: N/A	PART NUMBER: F490214	DRAWING NUMBER: 3006-019	DO NOT SCALE DRAWING
PHYSICAL PROPERTIES UNLESS OTHERWISE SPECIFIED DIMENSIONS ARE IN: INCHES			SHEET: 1 OF 2	CAD GENERATED DRAWING DO NOT MANUALLY UPDATE
			DRAWING DESCRIPTION: PY DEADEND CROSSARM	DESIGN DATE: 3/5/09
MATERIAL: FIBERGLASS	TOLERANCES ARE:	 MACLEAN POWER SYSTEMS 7801 PARK PLACE RD. YORK, SC. 29745 TEL. (803) 628-2100 FAX: (803) 628-2139		
APPROX. WEIGHT : 90 LBS	.XX +/- .03			
VOLUME : IN3	.XXX +/- .015			
	X/XX +/- 1/32			
	ANGLES +/- 1°	PRODUCT LINE: CROSSARMS	APPROVED: 10/14/13	SCALE: 1:12.5

THIS DRAWING CONTAINS CONFIDENTIAL INFORMATION THAT IS THE PROPERTY OF MACLEAN POWER, L.L.C. ("MACLEAN"). USE OF MACLEAN'S CONFIDENTIAL INFORMATION WITHOUT MACLEAN'S EXPRESS WRITTEN CONSENT IS STRICTLY PROHIBITED AND MAY EXPOSE YOU TO LEGAL LIABILITY. IF YOU BELIEVE THAT YOU RECEIVED THIS MATERIAL IN ERROR, PLEASE DESTROY IT OR RETURN IT TO "MACLEAN POWER, L.L.C., 7801 PARK PLACE RD., YORK, SOUTH CAROLINA 29745, USA."

PAPER SIZE	DRAWING NUMBER
B	3006-019



2X Ø 13/16" THRU ALL

4X Ø 11/16" THRU ALL

THIS DRAWING CONTAINS CONFIDENTIAL INFORMATION THAT IS THE PROPERTY OF MACLEAN POWER, L.L.C. ("MACLEAN"). USE OF MACLEAN'S CONFIDENTIAL INFORMATION WITHOUT MACLEAN'S EXPRESS WRITTEN CONSENT IS STRICTLY PROHIBITED AND MAY EXPOSE YOU TO LEGAL LIABILITY. IF YOU BELIEVE THAT YOU RECEIVED THIS MATERIAL IN ERROR, PLEASE DESTROY IT OR RETURN IT TO "MACLEAN POWER, L.L.C., 7801 PARK PLACE RD., YORK, SOUTH CAROLINA 29745, USA."

CATALOG NUMBER: PY12SD349-2E-SM		CUSTOMER NUMBER: N/A		PART NUMBER: F490214		DRAWING NUMBER: 3006-019		DO NOT SCALE DRAWING	
PHYSICAL PROPERTIES UNLESS OTHERWISE SPECIFIED DIMENSIONS ARE IN: INCHES				TOLERANCES ARE: .XX +/- .03 .XXX +/- .015 X/XX +/- 1/32 ANGLES +/- 1°		SHEET: 2 OF 2		CAD GENERATED DRAWING DO NOT MANUALLY UPDATE	
						DRAWING DESCRIPTION: PY DEADEND CROSSARM		DESIGN DATE: 3/5/09	
MATERIAL: FIBERGLASS		APPROX. WEIGHT : 90 LBS		VOLUME: IN3		PRODUCT LINE: CROSSARMS		DRAWN BY: TJK	
								ENGINEER: mkadel	
								APPROVED: 10/14/13	
								SCALE: 1:12.5	



7801 PARK PLACE RD.
YORK, SC. 29745
TEL. (803) 628-2100 FAX: (803) 628-2139