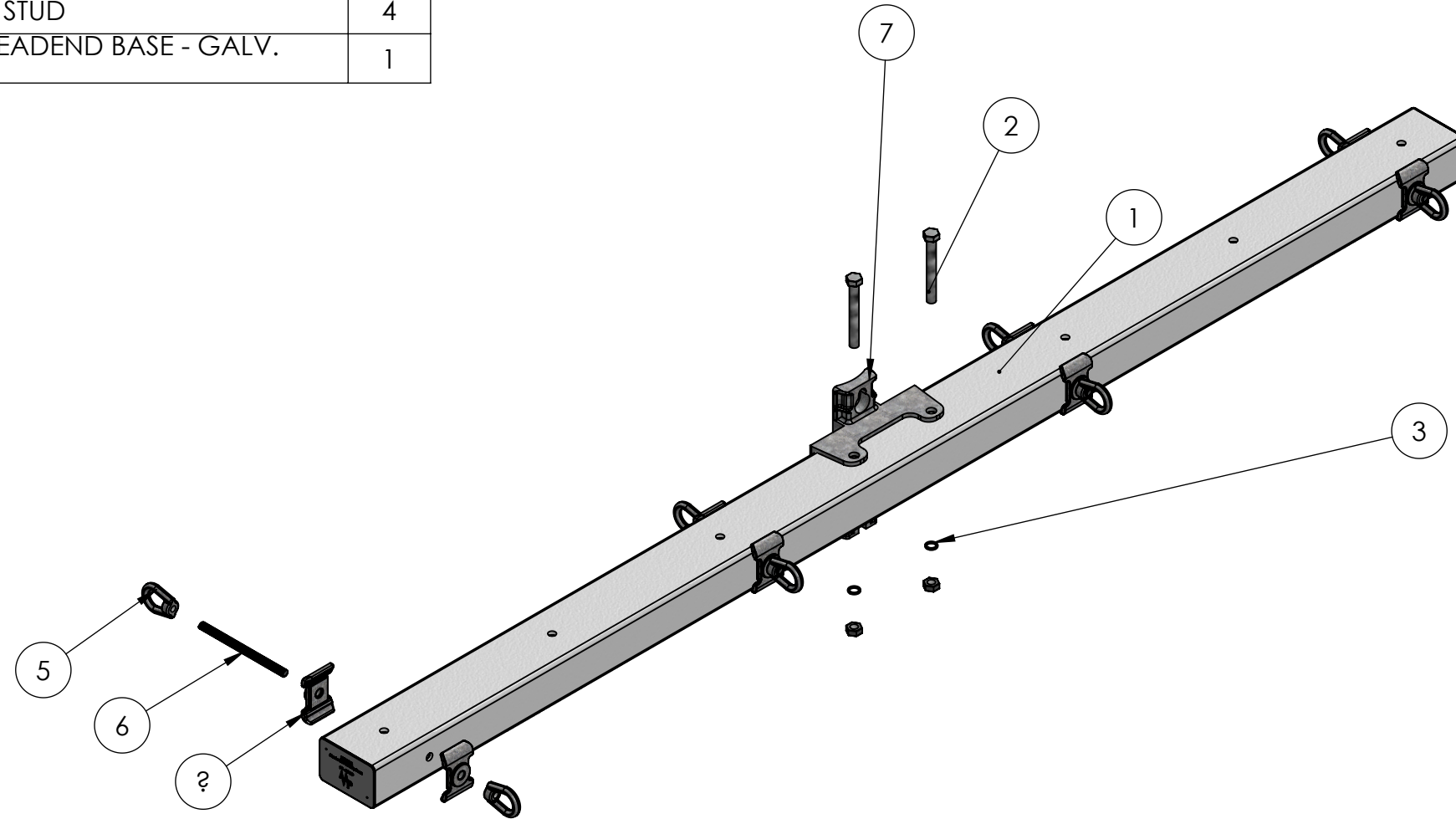


ITEM NO.	PART NUMBER	DESCRIPTION	QTY.
1	P90010Y	PY FOAMED TUBE	1
2	F614574	3/4" x 6" BOLT / NUT ASSEMBLY	2
3	F338983	3/4" LOCKWASHER	2
4	F411241	5/8" PENTECH WASHER	8
5	F392614	5/8" OVAL EYE NUT	8
6	P67577	5/8 - 11 x 9 1/4" STUD	4
7	P69198	HEAVY DUTY DEADEND BASE - GALV. CAST IRON	1

PAPER SIZE		DRAWING NUMBER	
B		3006-030	
REVISIONS			
REV.	ECO BY	ECO DATE	ECO NUMBER
D	TJK	4/2/14	00832



CATALOG NUMBER: PY10SD005-4E-SM	CUSTOMER NUMBER: N/A	PART NUMBER: F490182	DRAWING NUMBER: 3006-030	DO NOT SCALE DRAWING
PHYSICAL PROPERTIES UNLESS OTHERWISE SPECIFIED DIMENSIONS ARE IN: INCHES TOLERANCES ARE: .XX +/- .03 .XXX +/- .015 X/XX +/- 1/32 ANGLES +/- 1°			SHEET: 1 OF 2	CAD GENERATED DRAWING DO NOT MANUALLY UPDATE
			DRAWING DESCRIPTION: PY DEADEND CROSSARM	DESIGN DATE: 4/3/09
MATERIAL: FIBERGLASS	APPROX. WEIGHT : 99 LBS	VOLUME: IN3	PRODUCT LINE: CROSSARMS	DRAWN BY: TJK
			APPROVED: 4/2/14	ENGINEER: TJK
			SCALE: 1:12.5	

THIS DRAWING CONTAINS CONFIDENTIAL INFORMATION THAT IS THE PROPERTY OF MACLEAN POWER, L.L.C. ("MACLEAN"). USE OF MACLEAN'S CONFIDENTIAL INFORMATION WITHOUT MACLEAN'S EXPRESS WRITTEN CONSENT IS STRICTLY PROHIBITED AND MAY EXPOSE YOU TO LEGAL LIABILITY. IF YOU BELIEVE THAT YOU RECEIVED THIS MATERIAL IN ERROR, PLEASE DESTROY IT OR RETURN IT TO "MACLEAN POWER, L.L.C., 7801 PARK PLACE RD., YORK, SOUTH CAROLINA 29745, USA."



7801 PARK PLACE RD.
YORK, SC. 29745
TEL. (803) 628-2100 FAX: (803) 628-2139

8

7

6

5

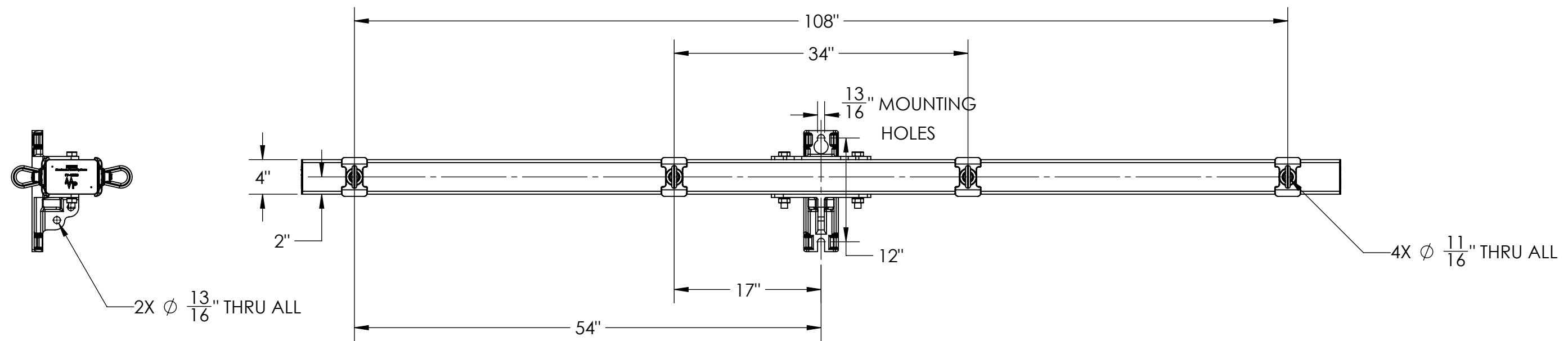
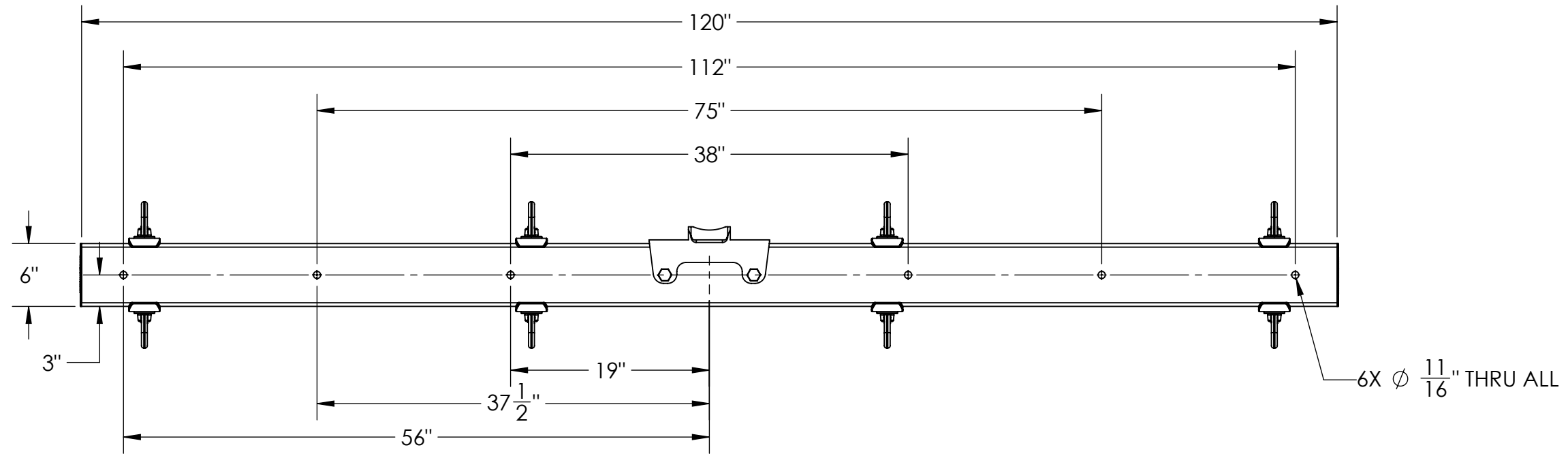
4

3

2

1

PAPER SIZE	DRAWING NUMBER
B	3006-030



CATALOG NUMBER: PY10SD005-4E-SM	CUSTOMER NUMBER: N/A	PART NUMBER: F490182	DRAWING NUMBER: 3006-030	DO NOT SCALE DRAWING
PHYSICAL PROPERTIES UNLESS OTHERWISE SPECIFIED DIMENSIONS ARE IN: INCHES TOLERANCES ARE: .XX +/- .03 .XXX +/- .015 X/XX +/- 1/32 ANGLES +/- 1°			SHEET: 2 OF 2	CAD GENERATED DRAWING DO NOT MANUALLY UPDATE
			DRAWING DESCRIPTION: PY DEADEND CROSSARM	DESIGN DATE: 4/3/09
MATERIAL: FIBERGLASS	APPROX. WEIGHT : 99 LBS	VOLUME: IN3	PRODUCT LINE: CROSSARMS	DRAWN BY: TJK
			APPROVED: 4/2/14	ENGINEER: TJK
			SCALE: 1:12.5	

THIS DRAWING CONTAINS CONFIDENTIAL INFORMATION THAT IS THE PROPERTY OF MACLEAN POWER, L.L.C. ("MACLEAN"). USE OF MACLEAN'S CONFIDENTIAL INFORMATION WITHOUT MACLEAN'S EXPRESS WRITTEN CONSENT IS STRICTLY PROHIBITED AND MAY EXPOSE YOU TO LEGAL LIABILITY. IF YOU BELIEVE THAT YOU RECEIVED THIS MATERIAL IN ERROR, PLEASE DESTROY IT OR RETURN IT TO "MACLEAN POWER, L.L.C., 7801 PARK PLACE RD., YORK, SOUTH CAROLINA 29745, USA."



7801 PARK PLACE RD.
YORK, SC. 29745
TEL. (803) 628-2100 FAX: (803) 628-2139

8 7 6 5 4 3 2 1