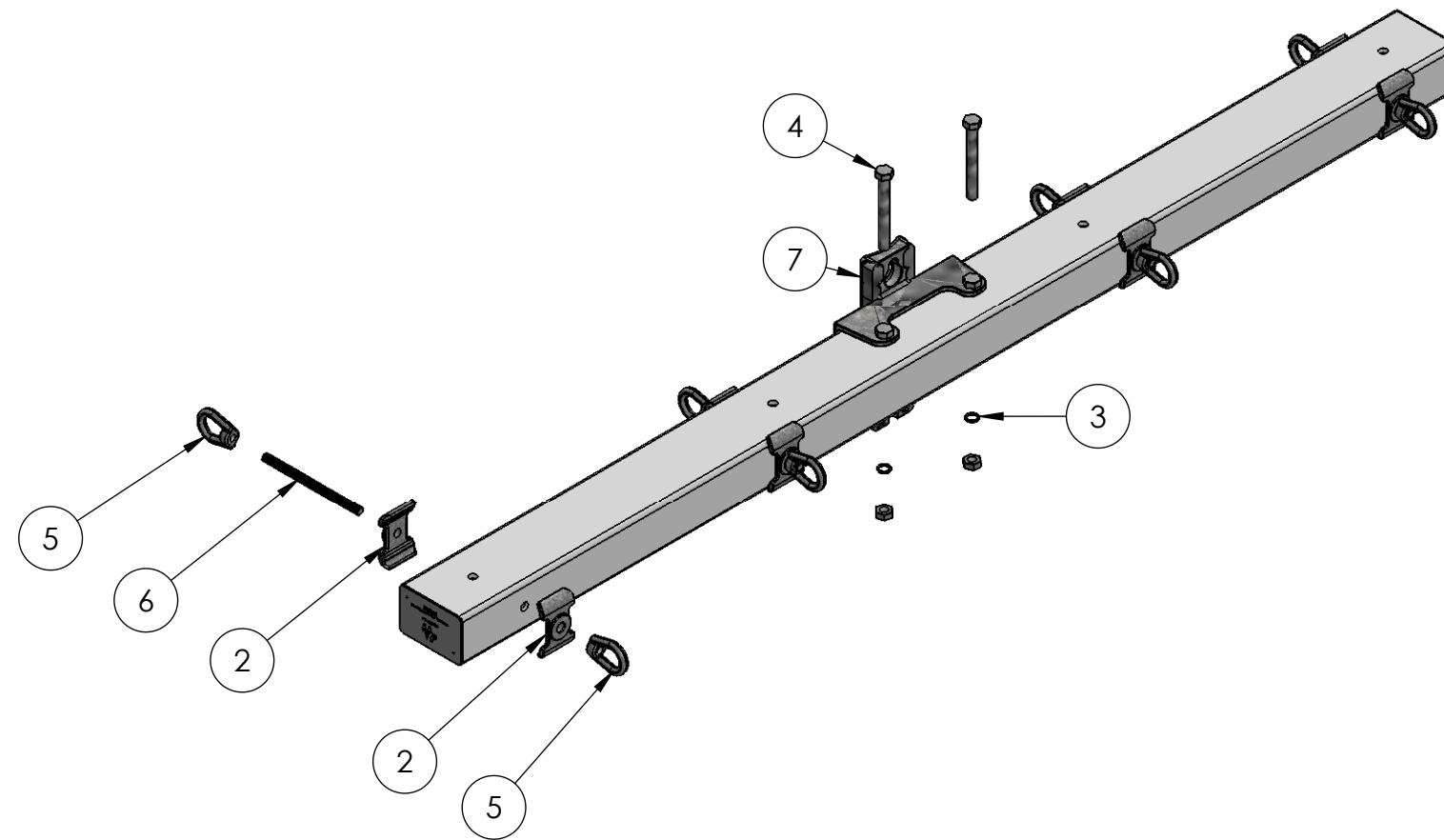



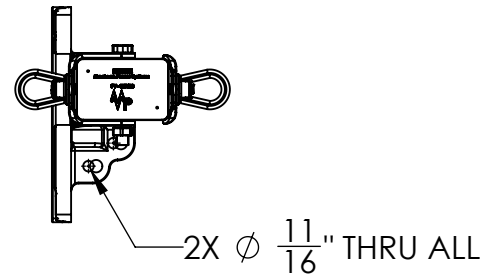
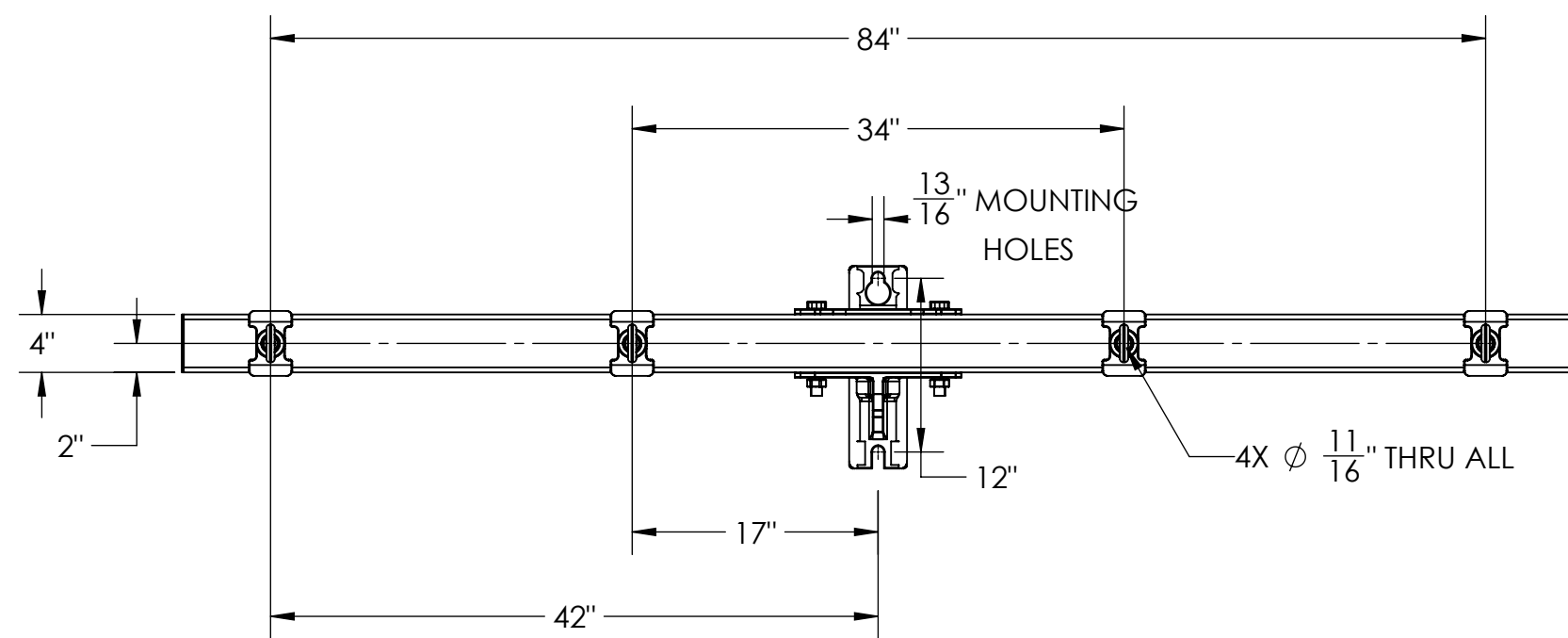
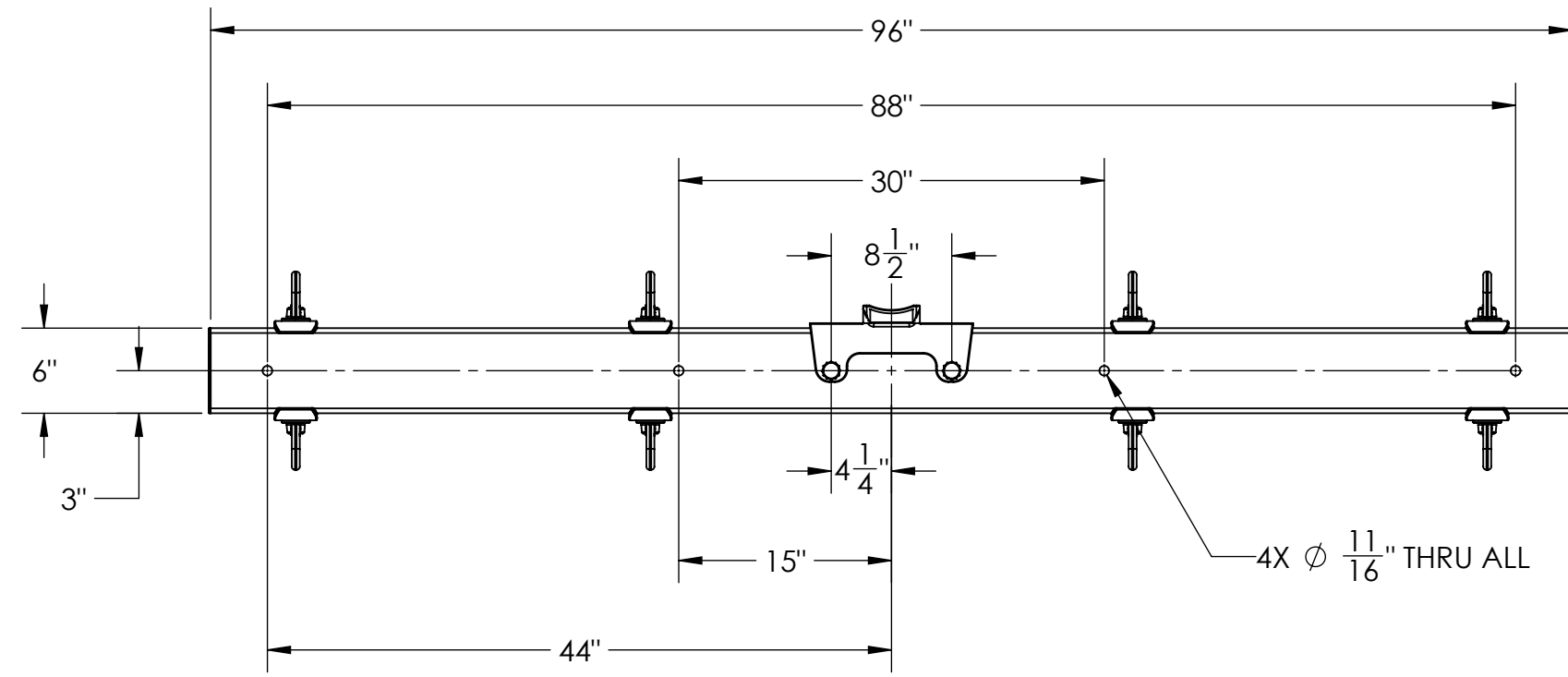
ITEM NO.	PART NUMBER	DESCRIPTION	QTY.
1	P90008Y	PY FOAMED TUBE	1
2	F411241	5/8" PENTECH WASHER	8
3	F338983	3/4" LOCKWASHER	4
4	F614574	3/4" x 6" BOLT / NUT ASSEMBLY	4
5	F392614	5/8" OVAL EYE NUT	8
6	P67577	5/8 - 11 x 9 1/4" STUD	4
7	P69198	HEAVY DUTY DEADEND BASE - GALV. CAST IRON	1
8	P60102 D	HEAVY DUTY DEADEND BASE - CAST ALUMINUM W/ 2 GUY HOLES	1

PAPER SIZE		DRAWING NUMBER	
B		3006-116	
REVISIONS			
REV.	ECO BY	ECO DATE	ECO NUMBER
A	MHK	11/04/14	01330




THIS DRAWING CONTAINS CONFIDENTIAL INFORMATION THAT IS THE PROPERTY OF MACLEAN POWER, L.L.C. ("MACLEAN"). USE OF MACLEAN'S CONFIDENTIAL INFORMATION WITHOUT MACLEAN'S EXPRESS WRITTEN CONSENT IS STRICTLY PROHIBITED AND MAY EXPOSE YOU TO LEGAL LIABILITY. IF YOU BELIEVE THAT YOU RECEIVED THIS MATERIAL IN ERROR, PLEASE DESTROY IT OR RETURN IT TO "MACLEAN POWER, L.L.C., 7801 PARK PLACE RD., YORK, SOUTH CAROLINA 29745, USA."

CATALOG NUMBER: PY08SD003-4E-SM	CUSTOMER NUMBER:	PART NUMBER:	DRAWING NUMBER: 3006-116	DO NOT SCALE DRAWING
PHYSICAL PROPERTIES UNLESS OTHERWISE SPECIFIED DIMENSIONS ARE IN: INCHES			SHEET: 1 OF 2	CAD GENERATED DRAWING DO NOT MANUALLY UPDATE
			DRAWING DESCRIPTION: PY DEADEND CROSSARM, 8 FT LG	DESIGN DATE: 11/04/14
MATERIAL: FIBERGLASS	TOLERANCES ARE:	 7801 PARK PLACE RD. YORK, SC. 29745 TEL. (803) 628-2100 FAX: (803) 628-2139		
APPROX. WEIGHT : 109 LBS	.XX +/- .03			
VOLUME : IN3	.XXX +/- .015			
	X/XX +/- 1/32			
	ANGLES +/- 1°	PRODUCT LINE: CROSSARMS	APPROVED: 11/04/14	SCALE: 1:12.5



THIS DRAWING CONTAINS CONFIDENTIAL INFORMATION THAT IS THE PROPERTY OF MACLEAN POWER, L.L.C. ("MACLEAN"). USE OF MACLEAN'S CONFIDENTIAL INFORMATION WITHOUT MACLEAN'S EXPRESS WRITTEN CONSENT IS STRICTLY PROHIBITED AND MAY EXPOSE YOU TO LEGAL LIABILITY. IF YOU BELIEVE THAT YOU RECEIVED THIS MATERIAL IN ERROR, PLEASE DESTROY IT OR RETURN IT TO "MACLEAN POWER, L.L.C., 7801 PARK PLACE RD., YORK, SOUTH CAROLINA 29745, USA."

CATALOG NUMBER: PY08SD003-4E-SM		CUSTOMER NUMBER:		PART NUMBER:		DRAWING NUMBER: 3006-116		DO NOT SCALE DRAWING	
PHYSICAL PROPERTIES UNLESS OTHERWISE SPECIFIED DIMENSIONS ARE IN: INCHES				 7801 PARK PLACE RD. YORK, SC. 29745 TEL. (803) 628-2100 FAX: (803) 628-2139		SHEET: 2 OF 2		CAD GENERATED DRAWING DO NOT MANUALLY UPDATE	
						DRAWING DESCRIPTION: PY DEADEND CROSSARM, 8 FT LG		DESIGN DATE: 11/04/14	
MATERIAL: FIBERGLASS		APPROX. WEIGHT : 109 LBS		VOLUME: IN3		PRODUCT LINE: CROSSARMS		DRAWN BY: MHK	
								ENGINEER: mkadel	
								APPROVED: 11/04/14	
								SCALE: 1:12.5	