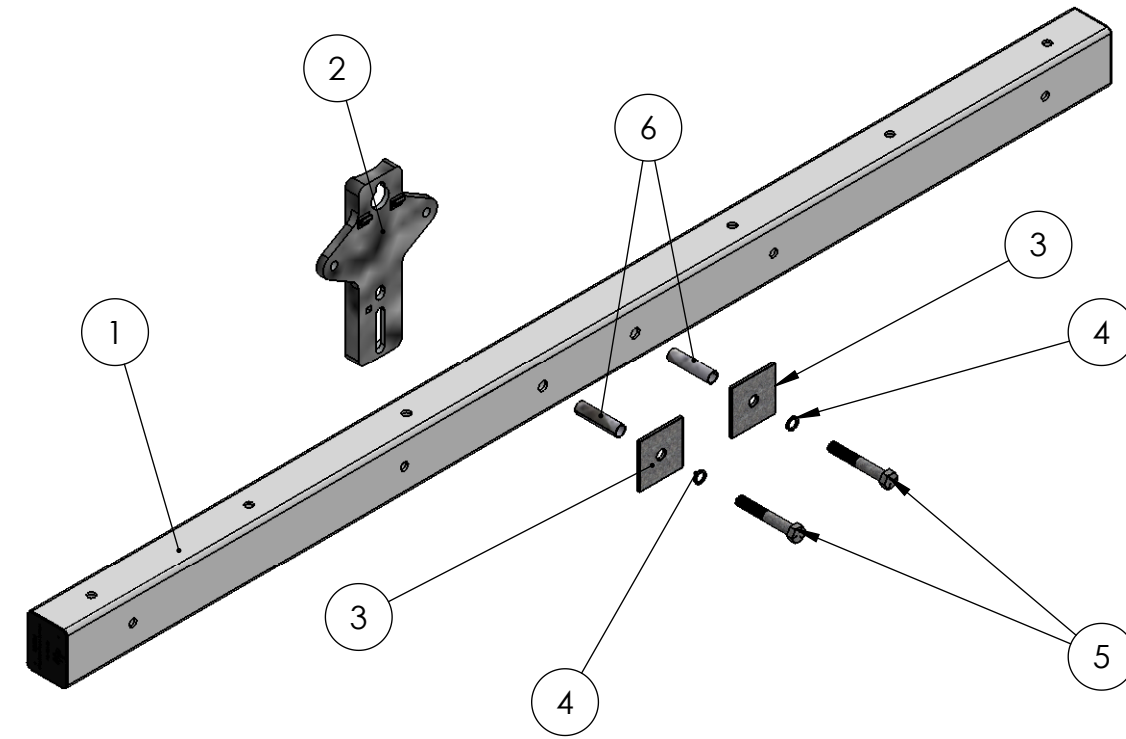



ITEM NO.	PART NUMBER	DESCRIPTION	QTY.
1	PX	PX FOAMED TUBE	1
2	P61342	HEAVY DUTY TANGENT BASE DRILLED & TAPPED	1
3	P68244	4" x 4" SQUARE WASHER W/ ϕ 13/16" HOLE	2
4	F338983	3/4" LOCKWASHER	2
5	P55909	3/4" - 10 x 5" GRADE 5 HEX HEAD BOLT	2
6	P23050	3/4" ID x 3 3/4" LONG SPACER TUBES	2

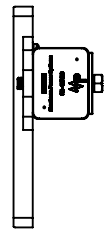
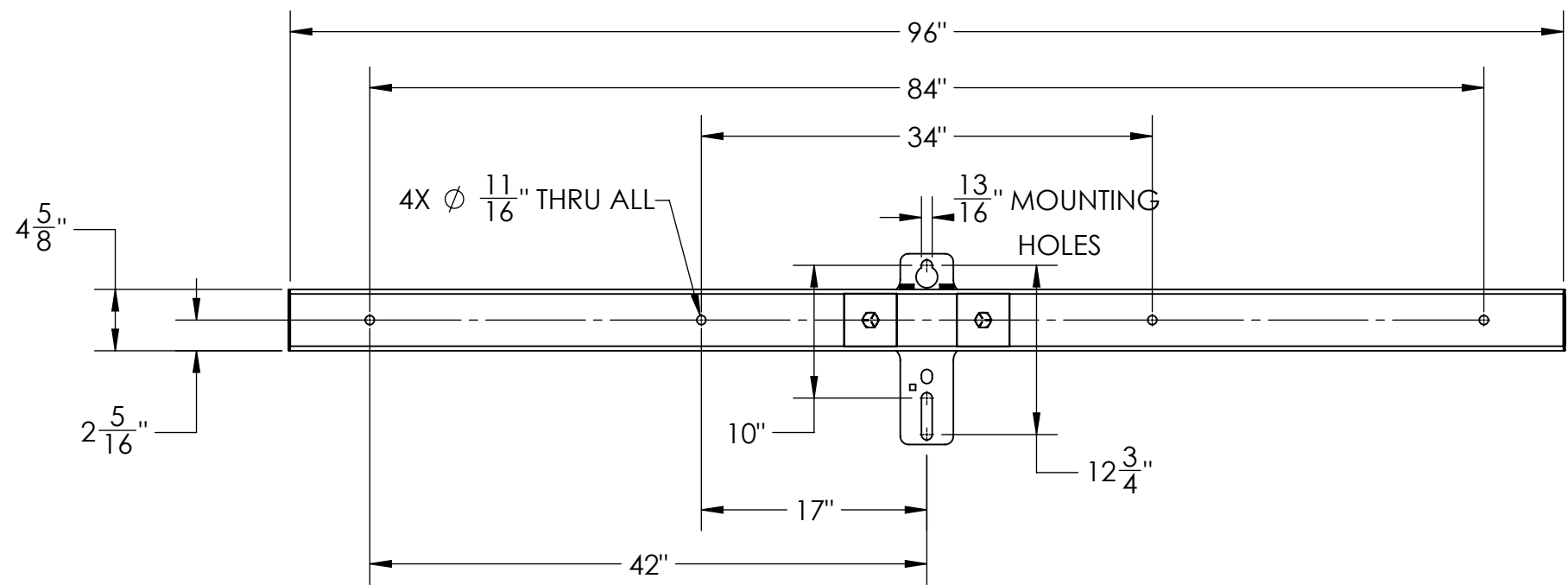
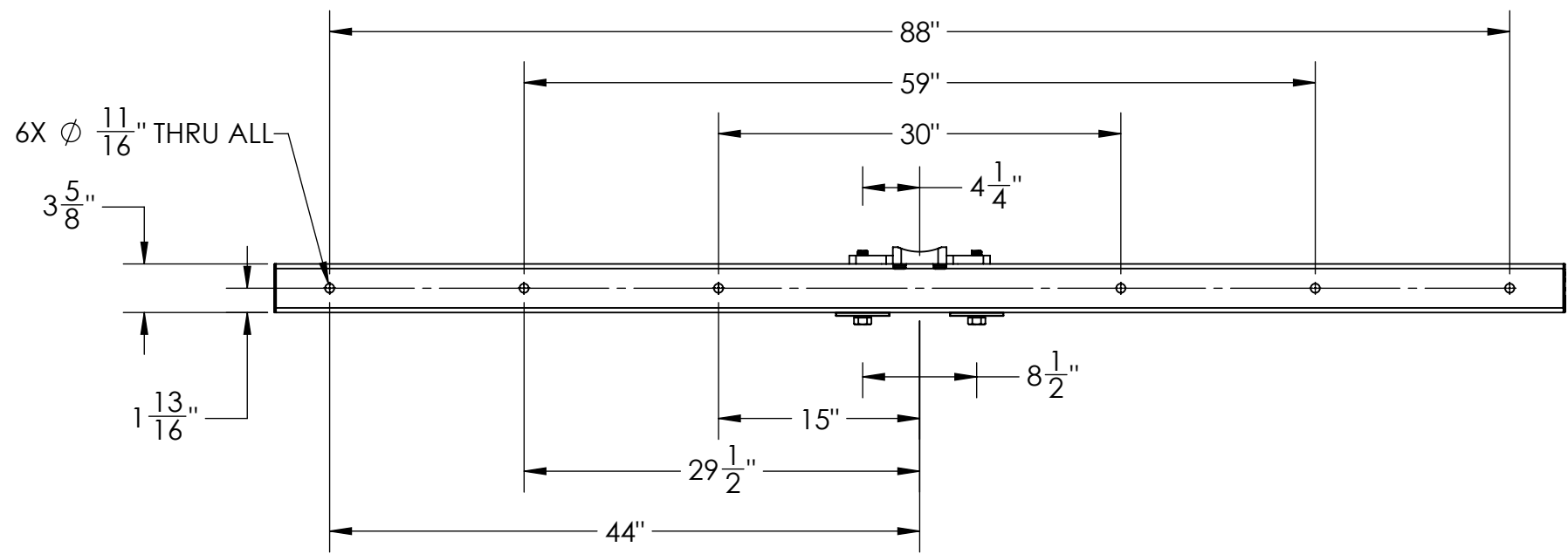
PAPER SIZE		DRAWING NUMBER	
B		3010-002	
REVISIONS			
REV.	ECO BY	ECO DATE	ECO NUMBER
A	KLJ	7/18/14	01152



THIS DRAWING CONTAINS CONFIDENTIAL INFORMATION THAT IS THE PROPERTY OF MACLEAN POWER, L.L.C. ("MACLEAN"). USE OF MACLEAN'S CONFIDENTIAL INFORMATION WITHOUT MACLEAN'S EXPRESS WRITTEN CONSENT IS STRICTLY PROHIBITED AND MAY EXPOSE YOU TO LEGAL LIABILITY. IF YOU BELIEVE THAT YOU RECEIVED THIS MATERIAL IN ERROR, PLEASE DESTROY IT OR RETURN IT TO "MACLEAN POWER, L.L.C., 7801 PARK PLACE RD., YORK, SOUTH CAROLINA 29745, USA."

CATALOG NUMBER: PS08ST004		CUSTOMER NUMBER:		PART NUMBER:		DRAWING NUMBER: 3010-002		DO NOT SCALE DRAWING	
PHYSICAL PROPERTIES				UNLESS OTHERWISE SPECIFIED DIMENSIONS ARE IN: INCHES		SHEET: 1 OF 2		CAD GENERATED DRAWING DO NOT MANUALLY UPDATE	
				TOLERANCES ARE:		DRAWING DESCRIPTION: PX TANGENT CROSSARM 8 FT		DESIGN DATE: 7/29/14	
MATERIAL:	FIBERGLASS	.XX	+/- .03	 7801 PARK PLACE RD. YORK, SC. 29745 TEL. (803) 628-2100 FAX: (803) 628-2139		DRAWN BY: KLJ		ENGINEER: mkadel	
APPROX. WEIGHT :	40 LBS	.XXX	+/- .015			APPROVED: 08/14/14			
VOLUME:	IN3	X/XX	+/- 1/32			SCALE: 1:12.5			
		ANGLES	+/- 1°	PRODUCT LINE: CROSSARMS					

PAPER SIZE	DRAWING NUMBER
B	3010-002



CATALOG NUMBER: PS08ST004		CUSTOMER NUMBER:		PART NUMBER:		DRAWING NUMBER: 3010-002		DO NOT SCALE DRAWING	
PHYSICAL PROPERTIES				UNLESS OTHERWISE SPECIFIED DIMENSIONS ARE IN: INCHES		SHEET: 2 OF 2		CAD GENERATED DRAWING DO NOT MANUALLY UPDATE	
				TOLERANCES ARE:		DRAWING DESCRIPTION: PX TANGENT CROSSARM 8 FT		DESIGN DATE: 7/29/14	
MATERIAL:	FIBERGLASS	.XX	+/- .03	 7801 PARK PLACE RD. YORK, SC. 29745 TEL. (803) 628-2100 FAX: (803) 628-2139		DRAWN BY: KLJ		ENGINEER: mkadel	
APPROX. WEIGHT :	40 LBS	.XXX	+/- .015			APPROVED: 08/14/14			
VOLUME:	IN3	X/XX	+/- 1/32			SCALE: 1:12.5			
		ANGLES	+/- 1°	PRODUCT LINE: CROSSARMS					

THIS DRAWING CONTAINS CONFIDENTIAL INFORMATION THAT IS THE PROPERTY OF MACLEAN POWER, L.L.C. ("MACLEAN"). USE OF MACLEAN'S CONFIDENTIAL INFORMATION WITHOUT MACLEAN'S EXPRESS WRITTEN CONSENT IS STRICTLY PROHIBITED AND MAY EXPOSE YOU TO LEGAL LIABILITY. IF YOU BELIEVE THAT YOU RECEIVED THIS MATERIAL IN ERROR, PLEASE DESTROY IT OR RETURN IT TO "MACLEAN POWER, L.L.C., 7801 PARK PLACE RD., YORK, SOUTH CAROLINA 29745, USA."