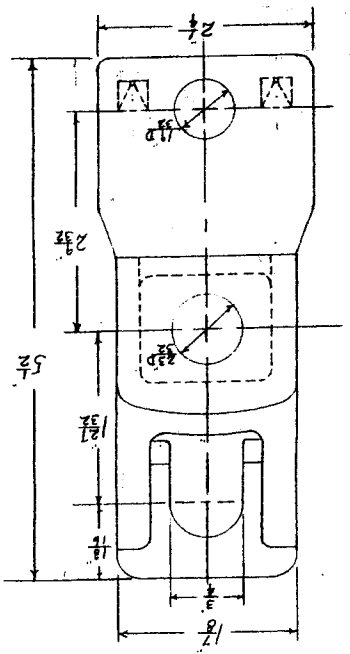


P158 "B" CLAMP SUPPORT



REVISIONS		
NO.	DATE	DESCRIPTION

ALL PARTS GALVANIZED (ASTM A-153)

LIST OF MATERIAL

CAT NO.	NO. REQD.	DESCRIPTION
P-158	1	B CLAMP SUPPORT
PB 350	1	5/8 X 2 1/2 SQ HD. MACH. BOLT
PB-272	1	5/8 ASR. SQ. NUT

This information is confidential and is the property of Maclean Power Systems. It may not be made public or retransmitted except that the engineer may make copies for use only in connection with the performance of services provided by Maclean Power Systems.

REV. 01  
DATE 08-2-7-61

3-7033

B-CLAMP SUPPORT ASSEMBLY

MACLEAN POWER SYSTEMS  
A Maclean-Logg Company

PA-158

