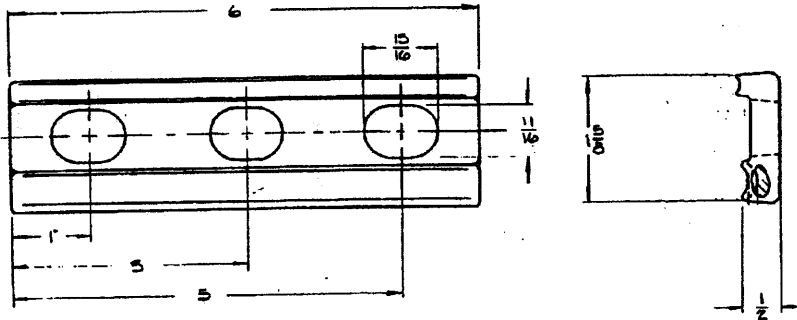
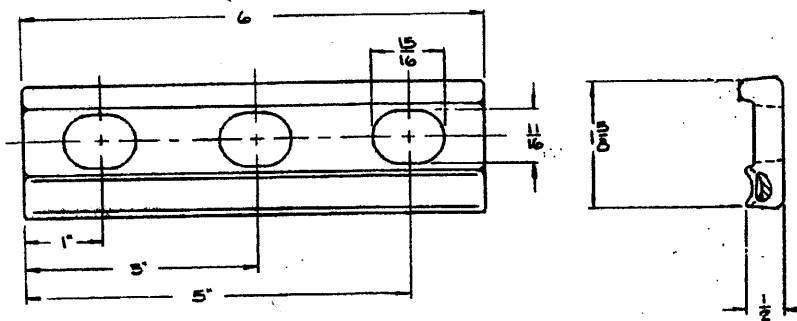


REVISIONS				
NO.	DATE	DESCRIPTION	BY	CHKD

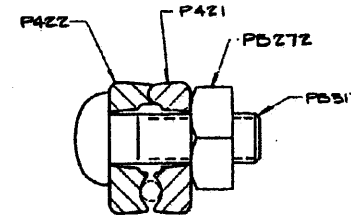


P422 CLAMP BODY


COMPONENTS		
ITEM	DESCRIPTION	UNITS
P422	CLAMP BODY	1
P421	CLAMP PLATE	1
PB517	TRACK EGG P422	2
PB272	NUT 3/8 SQ. HD.	2



P421 CLAMP PLATE



ASSEMBLY

 MACLEAN POWER SYSTEMS A Maclean-fogg Company	C-CABLE CLAMP ASSEMBLY CAT. NO. PA422	
	DWR: _____ DES: _____ DR: _____	BOLD: _____ DR: _____ DR: _____
1/0	1/1	1/1

This information is confidential and is the property of Maclean Power Systems. It may not be made public or reproduced except that the customer may make copies for use solely in installation, maintenance, and operation of products supplied by Maclean Power Systems.