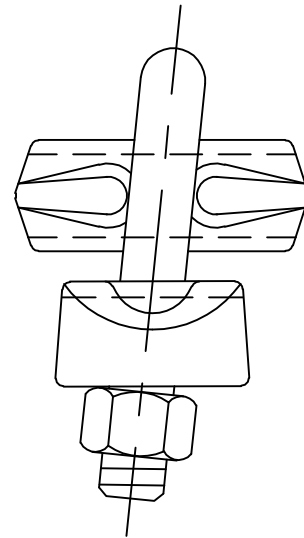



NOTES:

1. MATERIAL: CASTINGS-DUCTILE IRON GRADE 604510  
U-BOLT & NUTS-STEEL
2. FINISH: HOT DIP GALVANIZED.



1	5/15/08	DRAWN IN ACAD	JWF
NO.	DATE	DESCRIPTION	BY
REVISIONS			
 <b>MACLEAN POWER SYSTEMS</b> <i>A Maclean-fogg Company</i>			
DRAWN BY: CHM		APPROVED BY:	SCALE: NONE
		CHECKED BY:	
UNIVERSAL GUY CLAMP CAT. NO. GC-67      1/4-1/2 IN.			
DATE:	5/5/66	DRAWING NO. CEA-1008	SH: 1 OF 1    R/1

EQUAL TO MIF PAX67