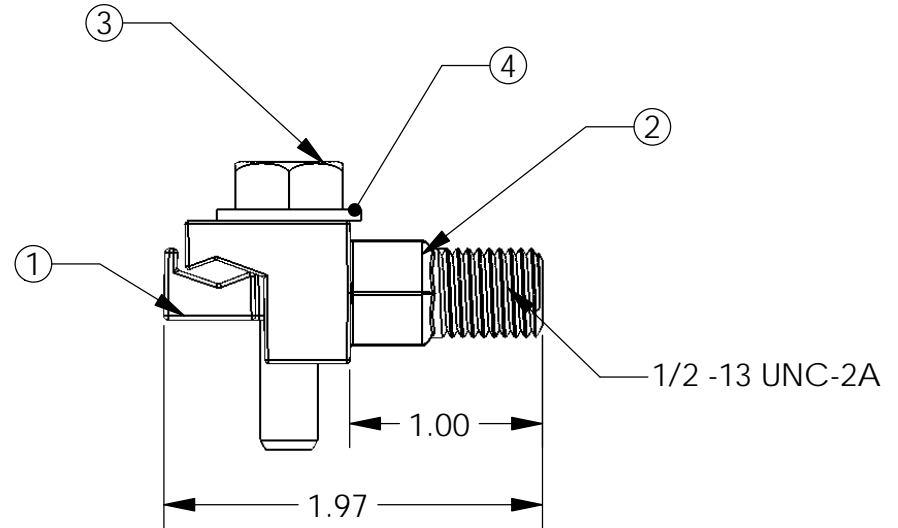
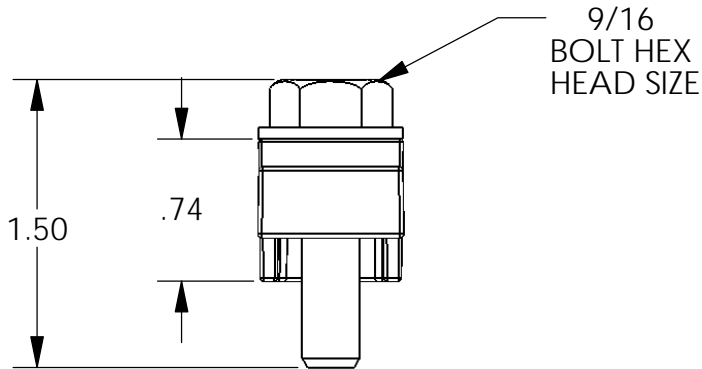
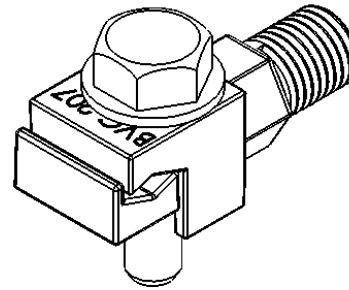
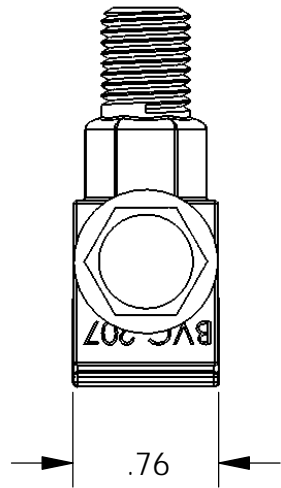


PAPER SIZE		DRAWING NUMBER	
A		GD-BVC-207	
ISS	REVISED BY:	REVISION DATE	ECO #
A	JBB	07/19/2012	10667
B	MG	03/17/13	10823



NOTES:

- ALL DIMENSIONS ARE REFERENCE AND ARE IN INCHES.

ITEM NO.	QTY.	DESCRIPTION
1	1	BVC-207 JAW (MALE)
2	1	BVC-207 BODY (FEMALE)
3	1	5/16 BOLT
4	1	WASHER

This drawing contains confidential information that is the property of MacLean Power, L.L.C. ("MacLean"). Use of MacLean's confidential information without MacLean's express written consent is strictly prohibited and may expose you to legal liability. If you believe that you received this material in error, please destroy it or return it to "MacLean Power, L.L.C., 11411 Addison Street, Franklin Park, Illinois 60131, USA."

UNLESS OTHERWISE SPECIFIED DIMENSIONS ARE IN: INCHES	
TOLERANCES ARE :	
.XXX	----
.XXXX	----
X/XX	----
ANGLES	----



**MACLEAN
POWER
SYSTEMS**

11411 ADDISON STREET
FRANKLIN PARK, IL. 60131

TEL. (847) 455-0014 FAX: (847) 455-0029

DRAWING NUMBER GD-BVC-207		DO NOT SCALE DRAWING	
SHEET NAME: F041790		1 OF 1	
DRAWING DESCRIPTION BVC-207		DESIGN DATE: 07/19/12	
DWG SCALE: 1:1		DRAWN BY:	JBB
		ENGINEER	EMG
		APPROVED	EMG