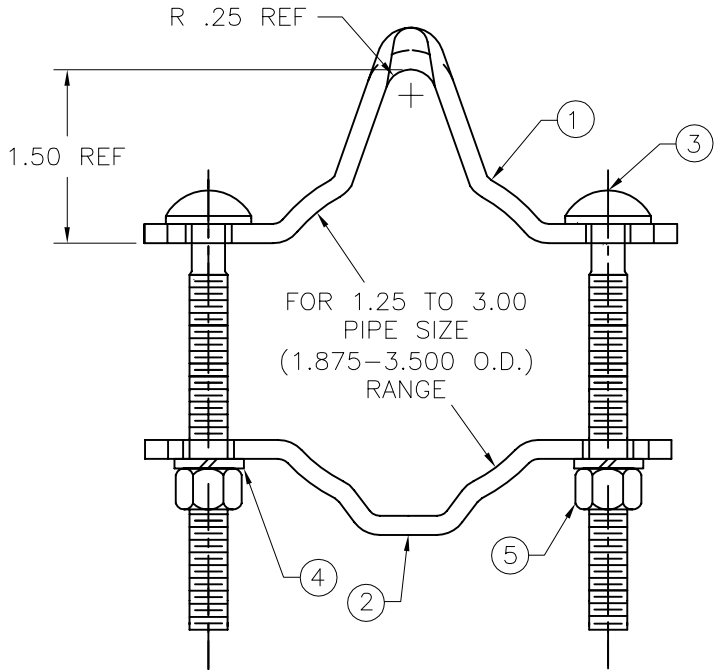
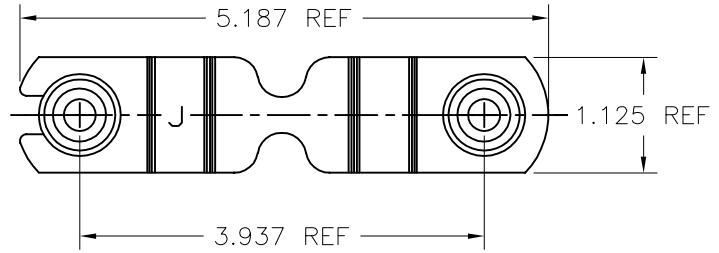


A | B | C | D | E | F

PAPER SIZE	DRAWING NUMBER	
B SIZE	GD-J0590	
REV	REVISION DATE	ECO
A	07-28-09	9596



ITEM	QTY	DESCRIPTION
1	1	SERVICE MAST BRACKET SECTION (TOP)
2	1	PIPE RISER CLEVIS SECTION (BOTTOM)
3	2	.375 X 3.500 CARRIAGE BOLT
4	2	.375 SPRING LOCK WASHER
5	2	.375 HEXAGONAL NUT

**NOTE:**  
 1) ALL DIMENSIONS ARE REFERENCE AND ARE IN INCHES.  
 2) ALL ITEMS ARE HOT DIP GALVANIZED (ASTM A-153).

CATALOG NUMBER J0590

This drawing contains confidential information that is the property of MacLean Power, L.L.C. ("MacLean"). Use of MacLean's confidential information without MacLean's express written consent is strictly prohibited and may expose you to legal liability. If you believe that you received this material in error, please destroy it or return it to "MacLean Power, L.L.C., 11411 Addison, Franklin Park, Illinois 60131, USA."

F102533

DRAWING-COMPUTER LOCATION

TOLERANCES UNLESS SPECIFIED	
inch	
0.XX	— — —
0.XXX	— — —
ANGLE	— — —



DRAWN BY	ENGINEER	CHECKER	CATALOG #	SCALE	DESIGN DATE
RC	DEK	FJS	J0509	---	07-28-09
DRAWING TITLE / DESCRIPTION					DRAWING NUMBER
SERVICE MAST BRACKET ASSEMBLY					GD-J0590

Form: 00\_Ebbs / 03-22-05