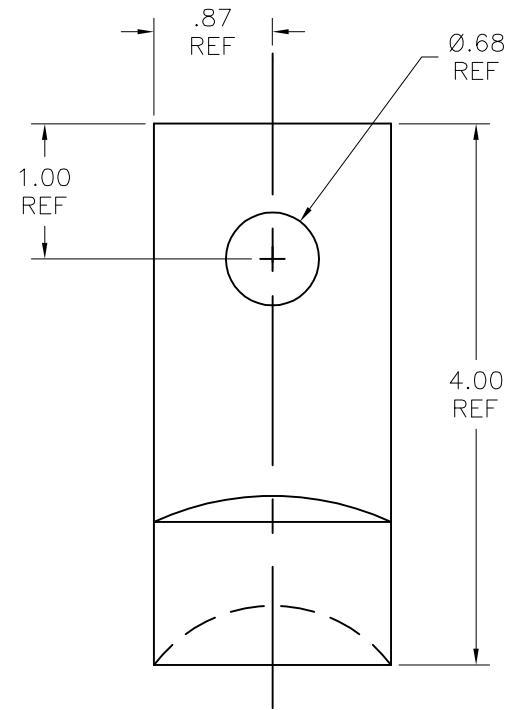
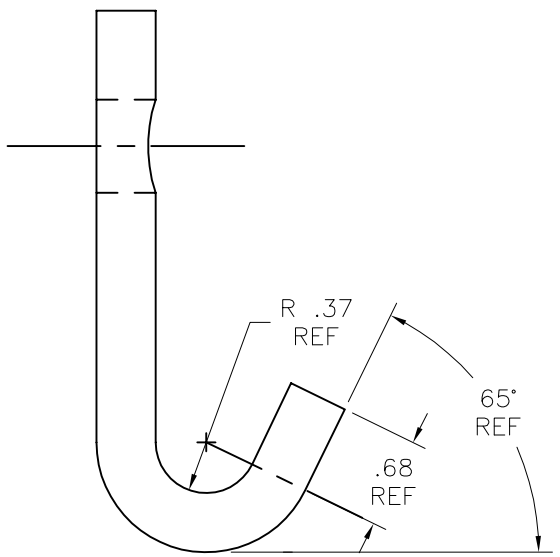
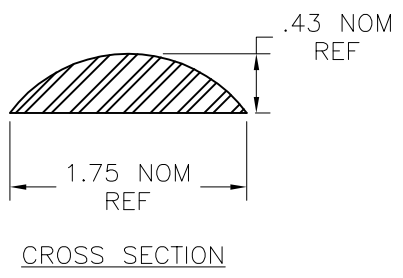


A | B | C | D | E | F

PAPER SIZE		DRAWING NUMBER	
B SIZE		GD-J1019	
REV	REVISION DATE	ECO	
A	09-23-09	9733	



NOTES:  
 1) ALL DIMENSIONS ARE REFERENCE AND IN INCHES.  
 2) HOT DIP GALVANIZED.

CATALOG NUMBER J1019

This drawing contains confidential information that is the property of MacLean Power, L.L.C. ("MacLean"). Use of MacLean's confidential information without MacLean's express written consent is strictly prohibited and may expose you to legal liability. If you believe that you received this material in error, please destroy it or return it to "MacLean Power, L.L.C., 11411 Addison, Franklin Park, Illinois 60131, USA."

F102535

DRAWING-COMPUTER LOCATION:

TOLERANCES UNLESS SPECIFIED	
inch	
0.XX	— — —
0.XXX	— — —
ANGLE	— — —



DRAWN BY	ENGINEER	CHECKER	CATALOG #	SCALE	DESIGN DATE
RC	DEK	FJS	J1019	---	09-23-09
DRAWING TITLE / DESCRIPTION					DRAWING NUMBER
HOOK GUY					GD-J1019