

A | B | C | D | E | F

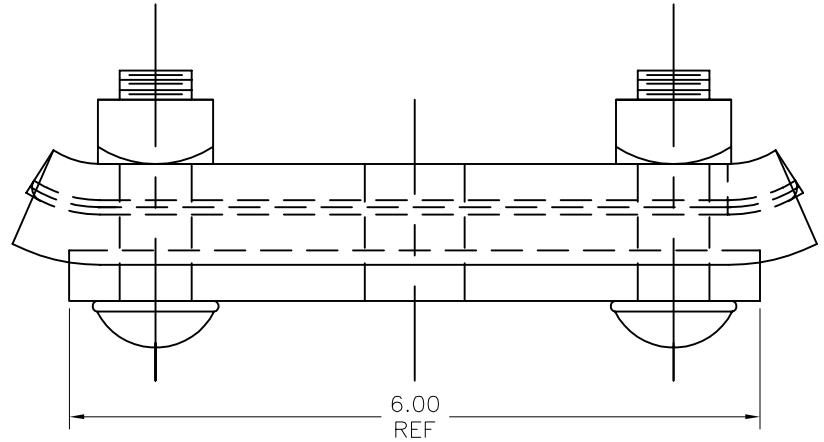
PAPER SIZE	DRAWING NUMBER	
B SIZE	GD-J7902B	
REV	REVISION DATE	ECO
A	09-23-09	9663

1

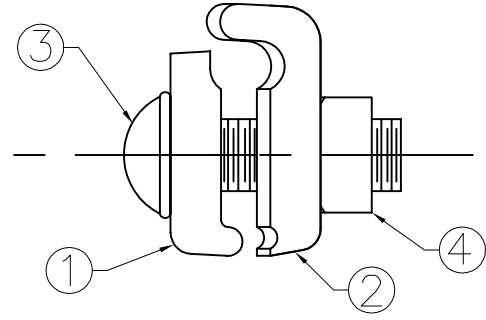
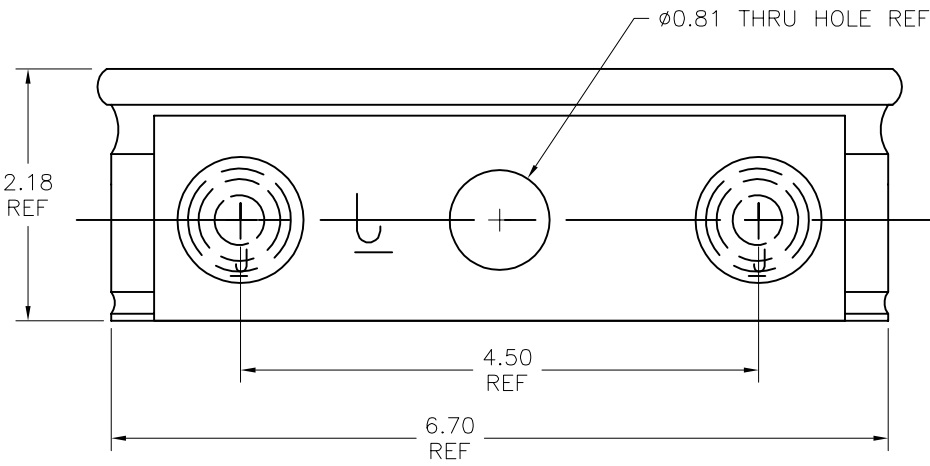
2

3

4



ITEM	QUANTITY	DESCRIPTION
1	1	ANGLE SUSPENSION CLAMP SECTION (KEEPER)
2	1	ANGLE SUSPENSION CLAMP SECTION
3	2	.62 X 2.00 GUY CLAMP BOLT
4	2	.62 SQUARE NUT



**NOTES:**  
 1) ALL ITEMS HOT DIP GALVANIZED.  
 2) ALL DIMENSIONS ARE REFERENCE AND ARE IN INCHES.

CATALOG NUMBER J7902B

This drawing contains confidential information that is the property of MacLean Power, L.L.C. ("MacLean"). Use of MacLean's confidential information without MacLean's express written consent is strictly prohibited and may expose you to legal liability. If you believe that you received this material in error, please destroy it or return it to "MacLean Power, L.L.C., 11411 Addison, Franklin Park, Illinois 60131, USA."

F102515

DRAWING-COMPUTER LOCATION

TOLERANCES UNLESS SPECIFIED	
inch	
0.XX	— —
0.XXX	— —
ANGLE	— —



DRAWN BY	ENGINEER	CHECKER	CATALOG #	SCALE	DESIGN DATE
RC	DEK	FJS	J7902B	---	09-23-09
DRAWING TITLE / DESCRIPTION					DRAWING NUMBER
CLAMP GUY					GD-J7902B

Form: 00\_Eblaw / 03-22-05