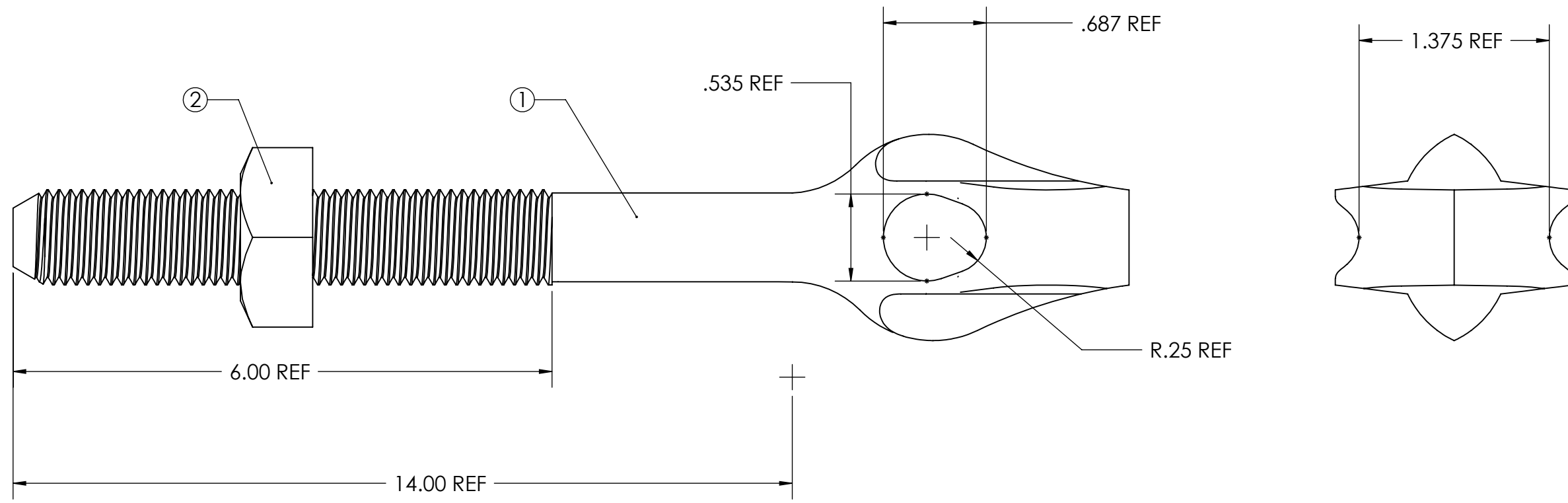


PAPER SIZE		DRAWING NUMBER	
B		GD-J8053	
REV	REVISED BY	REVISION DATE	ECO #
A	RC	07/28/09	9598

NOTES:

- 1) ALL DIMENSIONS ARE REFERENCED AND ARE IN INCHES.
- 2) ALL ITEMS HOT DIP GALVANIZED.

ITEM	QTY	DESCRIPTION
1	1	BOLT THIMBLE EYE STR 5/8
2	1	NUT SQUARE 5/8



This drawing contains confidential information that is the property of MacLean Power, L.L.C. ("MacLean"). Use of MacLean's confidential information without MacLean's express written consent is strictly prohibited and may expose you to legal liability. If you believe that you received this material in error, please destroy it or return it to "MacLean Power, L.L.C., 11411 Addison Street, Franklin Park, Illinois 60131, "USA."

F614677

UNLESS OTHERWISE SPECIFIED DIMENSIONS ARE IN:	
INCHES [MM]	
TOLERANCES ARE:	
.XX [.X]	-----
.XXX [.XX]	-----
ANGLES	-----

CATALOG NUMBER J8053

MACLEAN POWER SYSTEMS
 11411 ADDISON STREET
 FRANKLIN PARK, IL. 60131
 TEL. (847) 455-0014 FAX: (847) 455-0029

DRAWING NUMBER:		GD-J8053		DO NOT SCALE DRAWING	
SHEET NAME:		Sheet1		1 OF 1	
DRAWING DESCRIPTION:		BOLT THIMBLEYE STR 5/8		DESIGN DATE: 07/31/09	
DRAWN BY:		RC		ENGINEER: DEK	
APPROVED:		FJS			
DRAWING SCALE:		1:1			