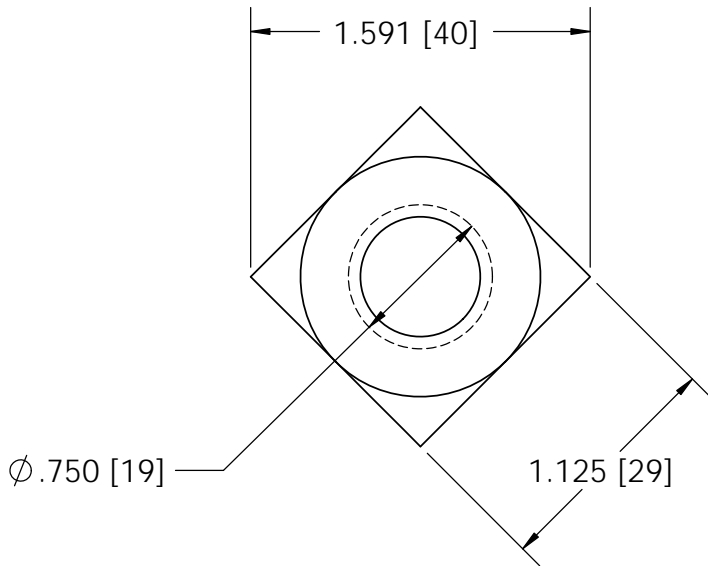


PAPER SIZE		DRAWING NUMBER	
A		GD-J8564	
ISS	REVISED BY:	REVISION DATE	ECO #
A	PDR	07-10-12	10662
B	PDR	08-13-12	10690



NOTES:

1. MATERIAL: HOT ROLLED CARBON STEEL
2. ALL DIMENSIONS ARE REFERENCE AND ARE IN INCHES.
3. HOT DIP GALVANIZED PER ASTM A153.

CATALOG NO. J8564

This drawing contains confidential information that is the property of MacLean Power, L.L.C. ("MacLean"). Use of MacLean's confidential information without MacLean's express written consent is strictly prohibited and may expose you to legal liability. If you believe that you received this material in error, please destroy it or return it to "MacLean Power, L.L.C., 11411 Addison Street, Franklin Park, Illinois 60131, USA."

UNLESS OTHERWISE SPECIFIED DIMENSIONS ARE IN: INCHES	
TOLERANCES ARE :	
.XXX	+/- .XXX
.XXXX	+/- .XXXX
X/XX	+/- .X/XX
ANGLES	+/- .X

PART NO. F614577

**MACLEAN
POWER
SYSTEMS**

11411 ADDISON STREET
FRANKLIN PARK, IL. 60131

TEL. (847) 455-0014 FAX: (847) 455-0029

DRAWING NUMBER GD-J8564		DO NOT SCALE DRAWING	
SHEET NAME: Sheet1		1 OF 1	
DRAWING DESCRIPTION NUT SQUARE 3/4		DESIGN DATE: 07-10-12	
DWG SCALE: NTS		DRAWN BY:	PDR
		ENGINEER	RRL
		APPROVED	JBB