

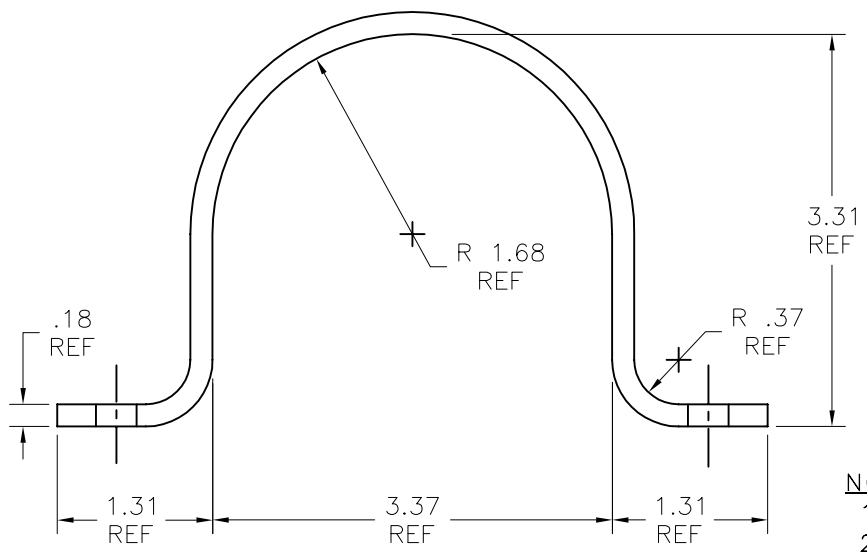
A | B | C | D | E | F

| | | |
|------------|----------------|------|
| PAPER SIZE | DRAWING NUMBER | |
| B SIZE | GD-J997 | |
| REV | REVISION DATE | ECO |
| A | 09-23-09 | 9733 |

1



2



NOTES:
 1) ALL DIMENSIONS ARE REFERENCE AND IN INCHES.
 2) HOT DIP GALVANIZED.

3

4

CATALOG NUMBER J997

This drawing contains confidential information that is the property of MacLean Power, L.L.C. ("MacLean"). Use of MacLean's confidential information without MacLean's express written consent is strictly prohibited and may expose you to legal liability. If you believe that you received this material in error, please destroy it or return it to "MacLean Power, L.L.C., 11411 Addison, Franklin Park, Illinois 60131, USA."

F614582

DRAWING-COMPUTER LOCATION:

| | |
|-----------------------------|-------|
| TOLERANCES UNLESS SPECIFIED | |
| inch | |
| 0.XX | — — — |
| 0.XXX | — — — |
| ANGLE | — — — |



| | | | | | |
|---|----------|---------|-----------|-------|----------------|
| DRAWN BY | ENGINEER | CHECKER | CATALOG # | SCALE | DESIGN DATE |
| RC | DEK | FJS | J997 | --- | 09-23-09 |
| DRAWING TITLE / DESCRIPTION | | | | | DRAWING NUMBER |
| "U" - CABLE RISER GUARD MOUNTING STRAPS | | | | | GD-J997 |

Form: 00_Elbow / 03-22-05