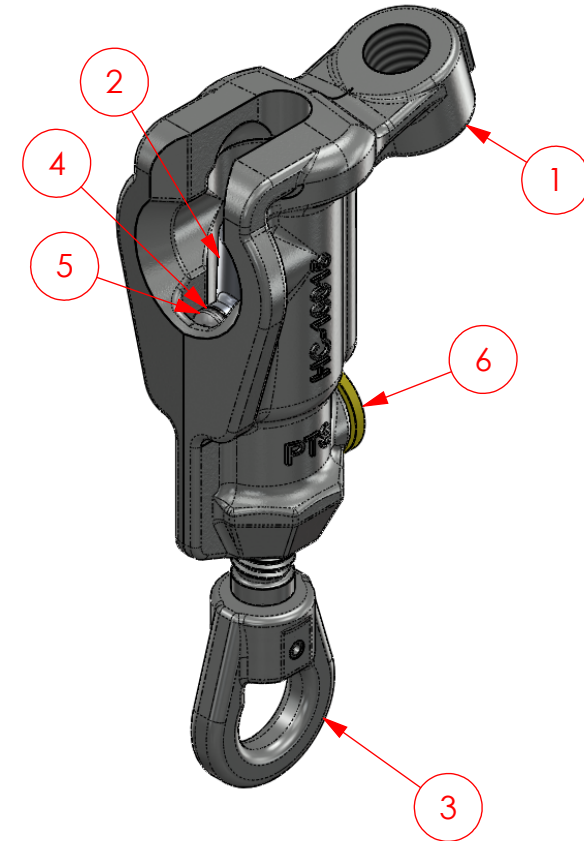
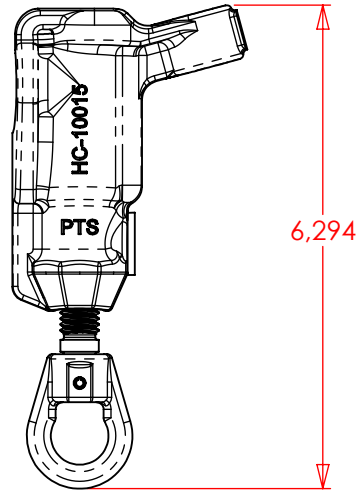
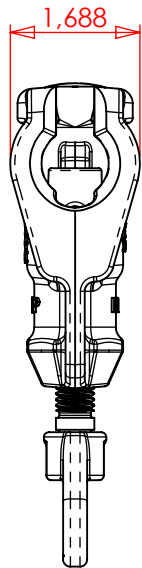
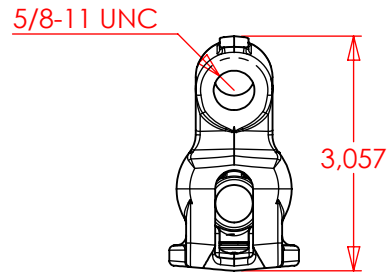


ITEM	DESCRIPTION	MATERIAL	QTY
1	PTS/DCP GROUNDING CLAMP BODY 20MM BALLSTUD 4/0 MAX. TAP	BC-B-100 CDA 855 BRASS ALLOY	1
2	BALL STUD CLAMP'S KEEPER	BRONZE C-85500	1
3	LEAD SCREW	BRONZE SCREW, BRASS EYE, TINNED	1
4	#10 PUSH NUT	GALVANIZED STEEL	1
5	#10-24 SCREW, 3/8 LENGTH	STAINLESS STEEL	1
6	YELLOW PLASTIC CAPPLUGS Ø0,145"	PLASTIC	1

PART NUMBER
F605002
DRAWING NUMBER
HC-10015
FORMAT
A



This drawing contains confidential information that is the property of MacLean Power Systems Canada. Use of MacLean's confidential information without MacLean's express written consent is strictly prohibited and may expose you to legal liability. If you believe that you received this material in error, please destroy it or return it to MacLean Power Systems Canada, 225 Ford, Chateauguay (Québec), Canada, J6J 4Z2



225 Ford, Chateauguay (Qué.) Canada J6J 4Z2
Tel. (450) 698-0520 Fax: (450) 692-5670

DESCRIPTION
20MM GROUNDING CLAMP

PROJECT NUMBER

PART NUMBER

SAP:

PRODUCT NUMBER

PAGE

DRAWING NUMBER

1 of 1

F605002

HC-10015

HC-10015