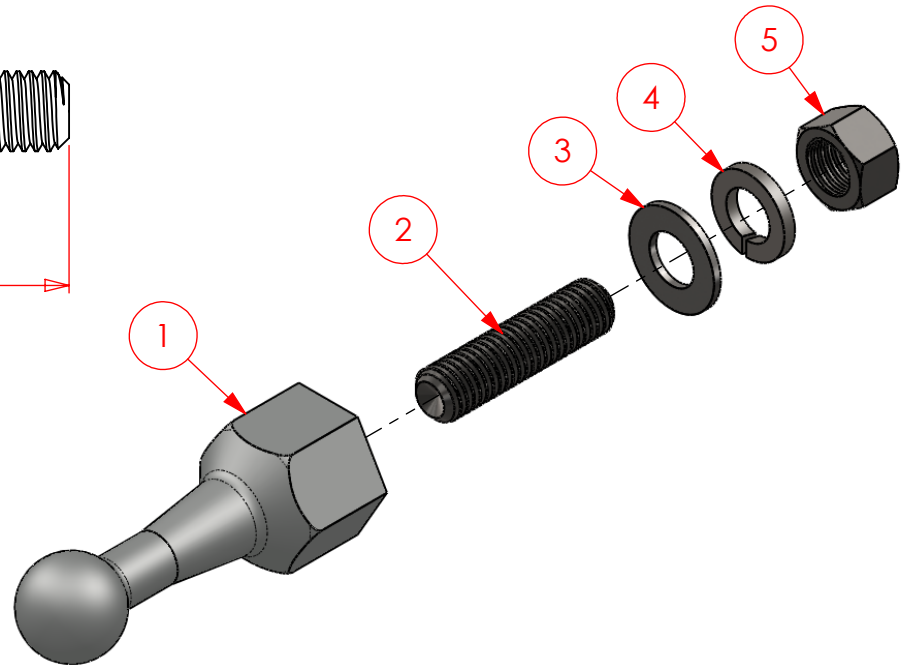
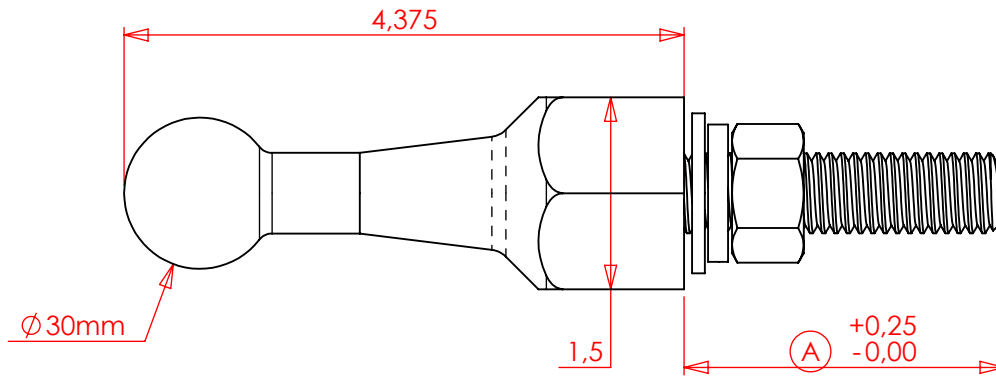


ITEM	DESCRIPTION	MATERIAL	QTY
1	GROUND BALL STUD 30MM	COPPER C110-ETP	1
2	SET SCREW 5/8"-11 X 2,5" LENGTH	STAINLESS STEEL	1
3	5/8" FLAT WASHER	STAINLESS STEEL	1
4	5/8" LOCK WASHER	STAINLESS STEEL	1
5	5/8"-11 HEX. NUT	STAINLESS STEEL	1



NUMERO DE PIÈCE	NUMERO PRODUIT	(A)
F611471	HC-30012	-
F613916	HC-30012-0,5	0,50
F611472	HC-30012-1	1,00
F611473	HC-30012-1,5	1,50
F611474	HC-30012-2	2,00
F611475	HC-30012-2,5	2,50
F615769	HC-30012-2,75	2,75
F611476	HC-30012-3	3,00
F615569	HC-30012-3,5	3,50
F615312	HC-30012-4	4,00
F615350	HC-30012-7	7,00
F613684	HC-30012-9	9,00

This drawing contains confidential information that is the property of MacLean Power Systems Canada. Use of MacLean's confidential information without MacLean's express written consent is strictly prohibited and may expose you to legal liability. If you believe that you received this material in error, please destroy it or return it to MacLean Power Systems Canada, 225 Ford, Chateauguay (Québec), Canada, J6J 4Z2



225 Ford, Chateauguay (Qué.) Canada J6J 4Z2
 Tel: (450) 698-0520 Fax: (450) 692-5670

DESCRIPTION
 POINT FIXE 30MM

PROJECT NUMBER	254	PART NUMBER	SEE TABLE
SAP:		PRODUCT NUMBER	HC-30012-X
PAGE	1 of 1	DRAWING NUMBER	HC-30012