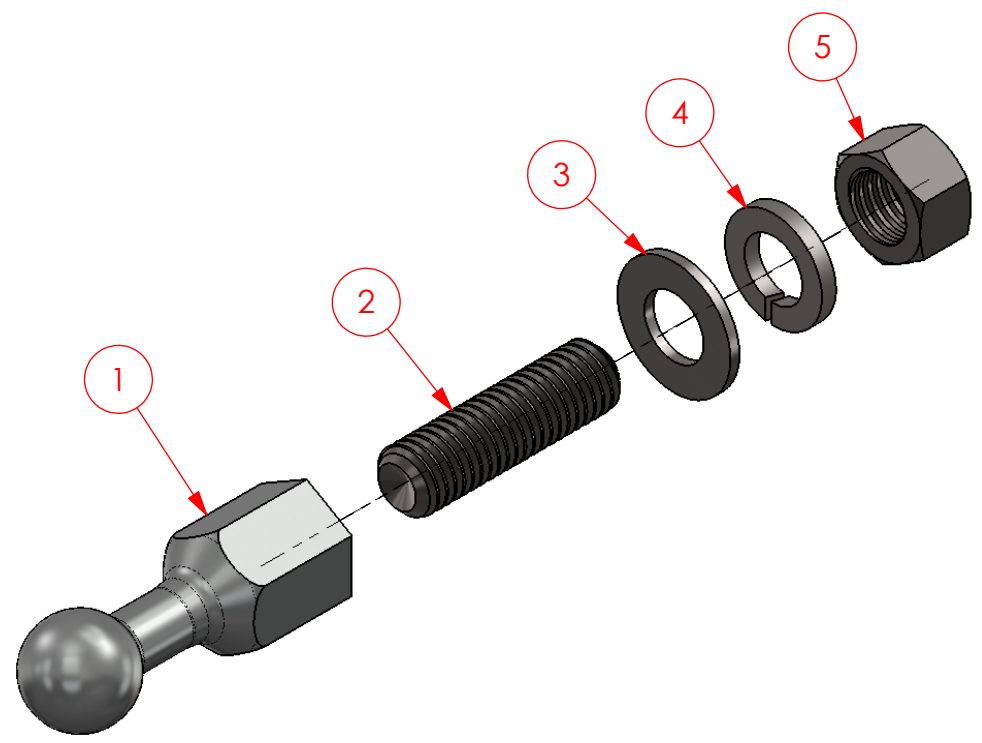
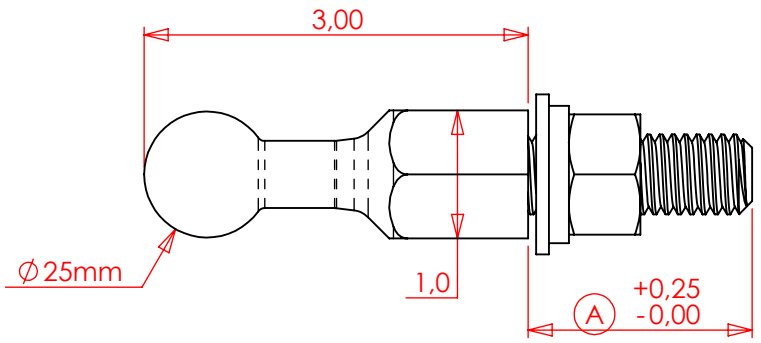


ITEM	DESCRIPTION	MATERIAL	QTY
1	25MM GROUND BALLSTUD	COPPER C110-ETP	1
2	SET SCREW 5/8-11 X 2,25" LENGTH	STAINLESS STEEL	1
3	5/8" FLAT WASHER	STAINLESS STEEL	1
4	5/8" LOCK WASHER	STAINLESS STEEL	1
5	5/8"-11 HEX. NUT	STAINLESS STEEL	1



NUMERO DE PIÈCE	NUMERO PRODUIT	(A)
F613731	HC-30037	-
F615682	HC-30037-0,5	0,50
F613993	HC-30037-1	1,00
F615499	HC-30037-1,5	1,50
F615683	HC-30037-1,75	1,75
F613898	HC-30037-2	2,00
F615767	HC-30037-3	3,00

This drawing contains confidential information that is the property of MacLean Power Systems Canada. Use of MacLean's confidential information without MacLean's express written consent is strictly prohibited and may expose you to legal liability. If you believe that you received this material in error, please destroy it or return it to MacLean Power Systems Canada, 225 Ford, Chateauguay (Québec), Canada, J6J 4Z2

**MACLEAN  
 POWER  
 SYSTEMS**  
 225 Ford, Chateauguay (Qué.) Canada J6J 4Z2  
 Tel. (450) 698-0520 Fax: (450) 692-5670

DESCRIPTION 25MM GROUND BALLSTUD	PROJECT NUMBER 193	PART NUMBER SEE TABLE
	SAP:	PRODUCT NUMBER HC-30037-X
	PAGE 1 of 1	DRAWING NUMBER HC-30037