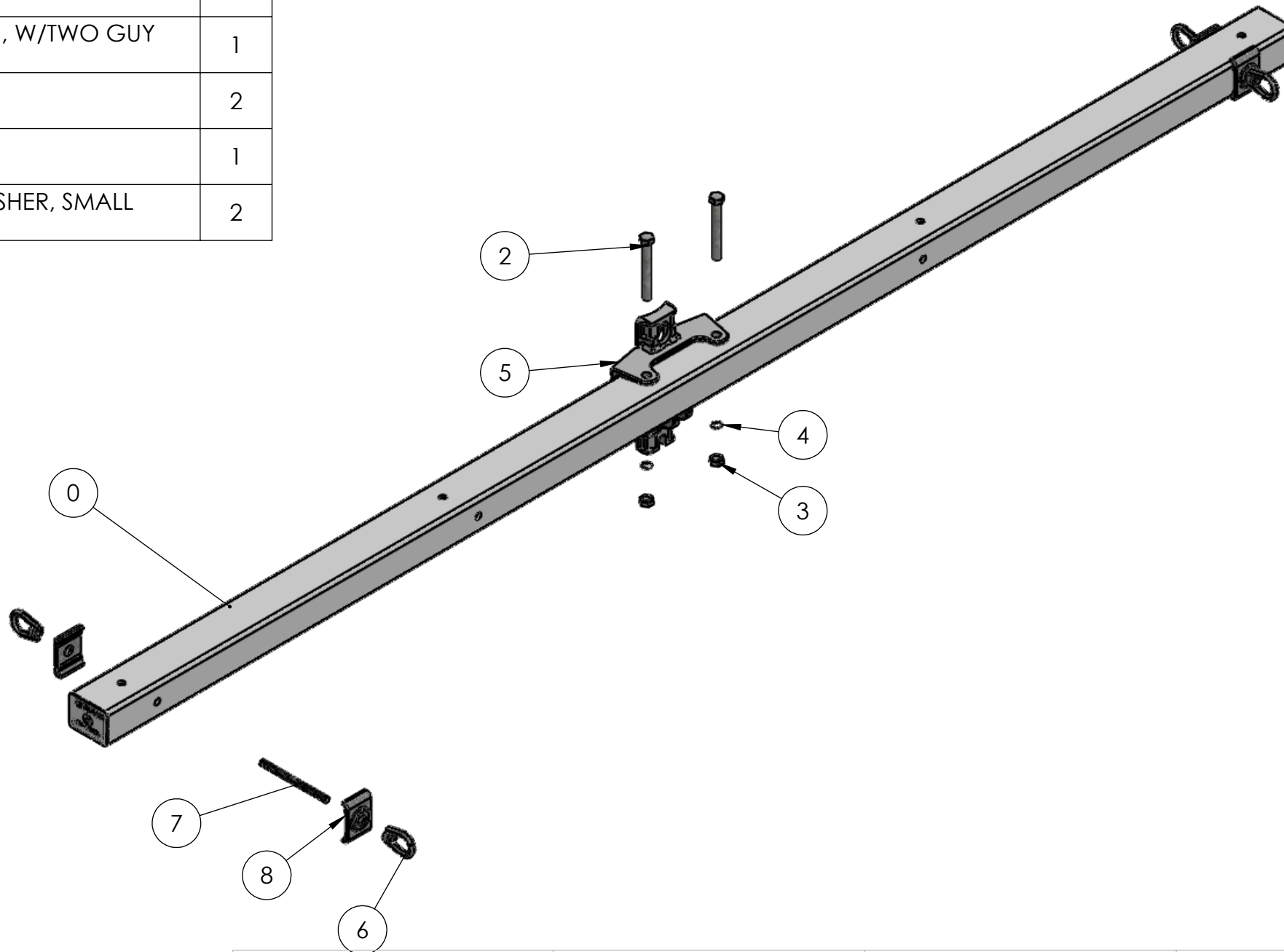


| ITEM NO. | PART NUMBER | DESCRIPTION | QTY. |
|----------|-------------|---|------|
| 1 | P80012H | PH FOAMED TUBE, 144 LG | 1 |
| 2 | P42120 | 3/4" x 6" BOLT | 2 |
| 3 | P42223 | 3/4 - 10 HEX NUT | 2 |
| 4 | F338983 | 3/4" LOCKWASHER | 2 |
| 5 | P69206 | LD DEADEND BASE, IRON, W/TWO GUY HOLES | 1 |
| 6 | F392614 | 5/8" OVAL EYE NUT | 2 |
| 7 | P67578 | 5/8 - 11 x 8" STUD | 1 |
| 8 | P66000 | STD 5/8" CROSSARM WASHER, SMALL PROFILE | 2 |

| | | | |
|------------|--------|-----------------|------------|
| PAPER SIZE | | DRAWING NUMBER | |
| B | | 3015-039 | |
| REVISIONS | | | |
| REV. | ECO BY | ECO DATE | ECO NUMBER |



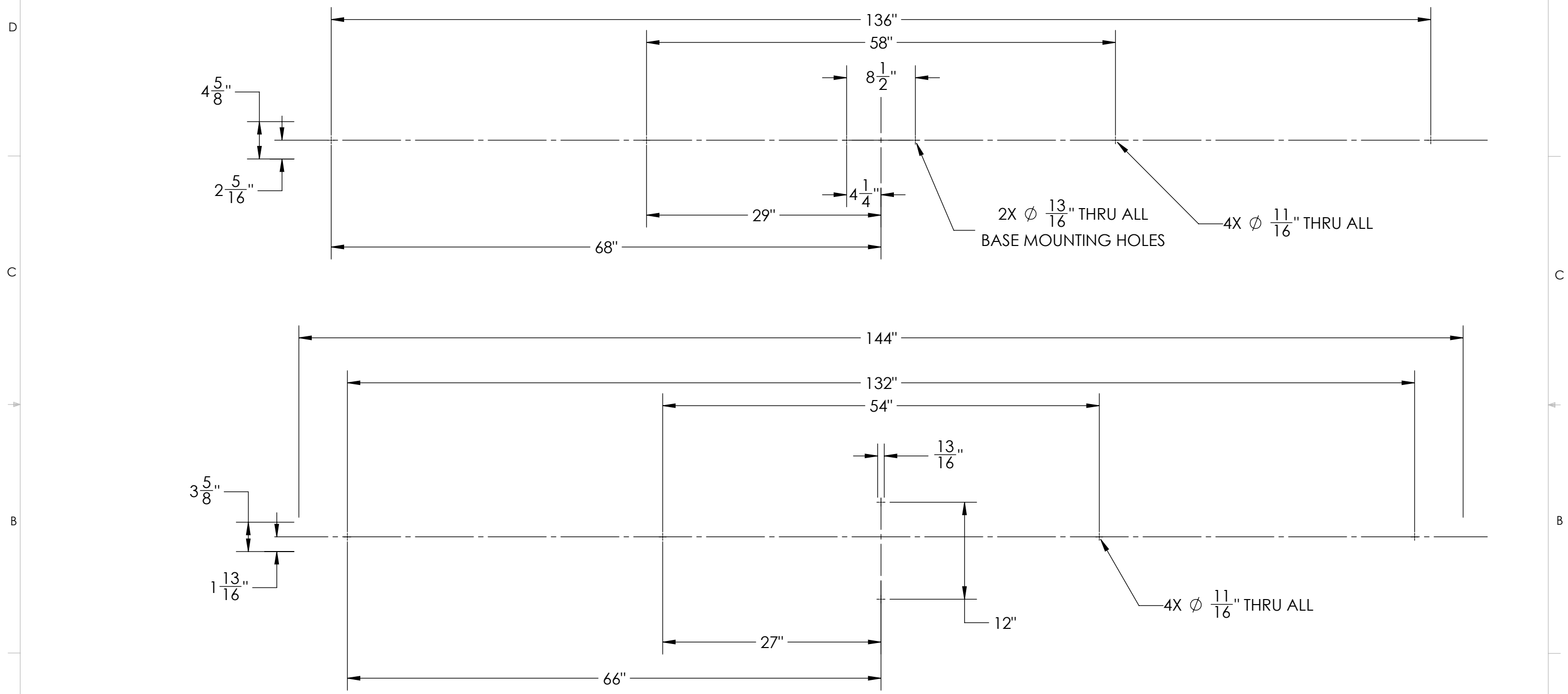
THIS DRAWING CONTAINS CONFIDENTIAL INFORMATION THAT IS THE PROPERTY OF MACLEAN POWER, L.L.C. ("MACLEAN"). USE OF MACLEAN'S CONFIDENTIAL INFORMATION WITHOUT MACLEAN'S EXPRESS WRITTEN CONSENT IS STRICTLY PROHIBITED AND MAY EXPOSE YOU TO LEGAL LIABILITY. IF YOU BELIEVE THAT YOU RECEIVED THIS MATERIAL IN ERROR, PLEASE DESTROY IT OR RETURN IT TO MACLEAN POWER, L.L.C., 7801 PARK PLACE RD., YORK, SOUTH CAROLINA 29745, "USA."

| | | | | |
|---|------------------|--------------------------------|--|---|
| CATALOG NUMBER: PH12SD349-2E | CUSTOMER NUMBER: | PART NUMBER: F490696 | DRAWING NUMBER: 3015-039 | DO NOT SCALE DRAWING |
| PHYSICAL PROPERTIES | | | SHEET: 1 OF 2 | CAD GENERATED DRAWING DO NOT MANUALLY UPDATE |
| UNLESS OTHERWISE SPECIFIED DIMENSIONS ARE IN: INCHES | | | DRAWING DESCRIPTION: PH DEADEND CROSSARM, 12 FT LG, SD IRON BASE, TWO GUY HOLES | DESIGN DATE: 2/20/19 |
| TOLERANCES ARE: | | | PRODUCT LINE: CROSSARMS | DRAWN BY: PNR |
| MATERIAL: | APPROX. WEIGHT : | VOLUME : | SCALE: 1:12 | ENGINEER: prollins |
| | 110 LBS | IN3 | | APPROVED: 02/21/19 |
| | | | | |



7801 PARK PLACE RD.
YORK, SC. 29745
TEL. (803) 628-2100 FAX: (803) 628-2139

| | |
|------------|-----------------|
| PAPER SIZE | DRAWING NUMBER |
| B | 3015-039 |



| | | | | |
|--|--------------------------|--------------------------------|--|---|
| CATALOG NUMBER: PH12SD349-2E | CUSTOMER NUMBER: | PART NUMBER: F490696 | DRAWING NUMBER: 3015-039 | DO NOT SCALE DRAWING |
| PHYSICAL PROPERTIES UNLESS OTHERWISE SPECIFIED DIMENSIONS ARE IN: INCHES TOLERANCES ARE: XX +/- 1/4 X/XX +/- 1/32 ANGLES +/- 1° | | | SHEET: 2 OF 2 | CAD GENERATED DRAWING DO NOT MANUALLY UPDATE |
| | | | DRAWING DESCRIPTION: PH DEADEND CROSSARM, 12 FT LG, SD IRON BASE, TWO GUY HOLES | DESIGN DATE: 2/20/19 |
| MATERIAL: | APPROX. WEIGHT : 110 LBS | VOLUME: IN3 | PRODUCT LINE: CROSSARMS | DRAWN BY: PNR |
| 7801 PARK PLACE RD. YORK, SC. 29745 TEL. (803) 628-2100 FAX: (803) 628-2139 | | | APPROVED: 02/21/19 | ENGINEER: prollins |
| | | | SCALE: 1:12 | |

THIS DRAWING CONTAINS CONFIDENTIAL INFORMATION THAT IS THE PROPERTY OF MACLEAN POWER, L.L.C. ("MACLEAN"). USE OF MACLEAN'S CONFIDENTIAL INFORMATION WITHOUT MACLEAN'S EXPRESS WRITTEN CONSENT IS STRICTLY PROHIBITED AND MAY EXPOSE YOU TO LEGAL LIABILITY. IF YOU BELIEVE THAT YOU RECEIVED THIS MATERIAL IN ERROR, PLEASE DESTROY IT OR RETURN IT TO MACLEAN POWER, L.L.C., 7801 PARK PLACE RD., YORK, SOUTH CAROLINA 29745, "USA."