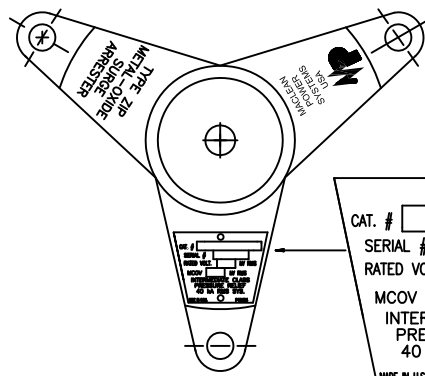
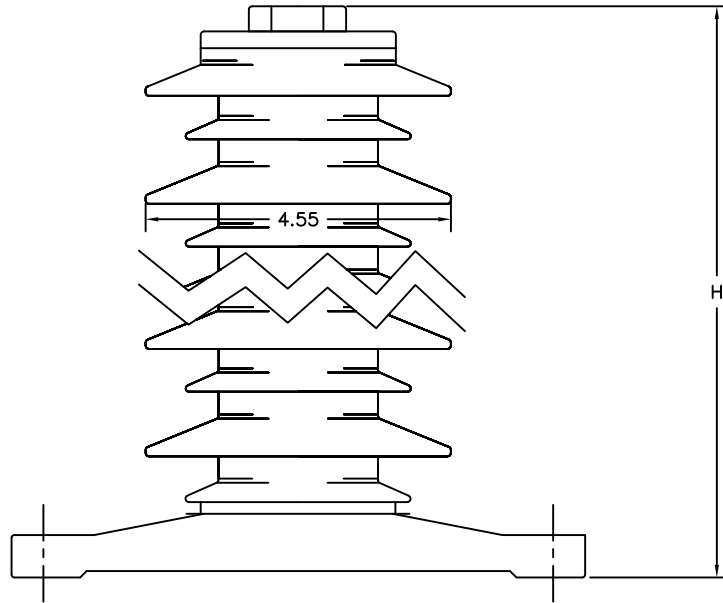


THREE PHASE INSTALLATION LAYOUT



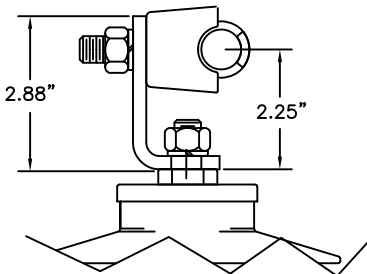
TRIPOD BASE AND NAMEPLATE



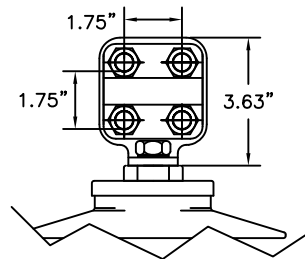
PHYSICAL CHARACTERISTICS

HEIGHT IN./(MM)	CREEP IN./(MM)	WEIGHT LBS./(kg)
20.8/(528)	52/(1321)	19/(8.6)

Min. Clearance - in./(mm)		Fault Withstand
A	R	
13.5/(343)	11.8/(300)	80 kA



TOP TERMINAL OPTION 1  
USED ON -1111, -1131

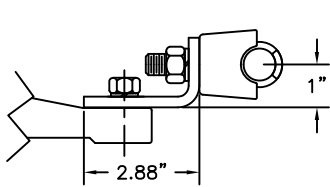


TOP TERMINAL OPTION 2  
USED ON -1211, -1231

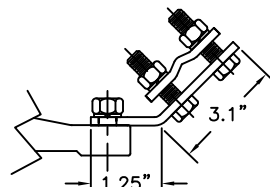
ELECTRICAL CHARACTERISTICS

RATING kV-RMS	MCOV kV-RMS	F.O.W. kV-CREST	MAX SWITCH. kV-CREST
39	31.5	110.45	83.41

MAX DISCHARGE VOLTAGE (kV-CREST)					
1.5 kA	3 kA	5 kA	10 kA	20 kA	40 kA
90.2	94.7	98	104.7	112.5	127.1



BOTTOM TERMINAL OPTION 1  
USED ON -1111, -1211



BOTTOM TERMINAL OPTION 3  
USED ON -1231, -1131



**MACLEAN POWER SYSTEMS**

[www.maclepower.com](http://www.maclepower.com)

POLYMER HOUSED GAPLESS METAL OXIDE  
ZIP INTERMEDIATE CLASS ARRESTER  
39 KV RATED  
31.5 KV MCOV

THIS DRAWING IS THE PROPERTY OF MACLEAN POWER SYSTEMS AND EMBODIES A CONFIDENTIAL PROPRIETARY DESIGN IN WHICH MACLEAN RETAINS ALL PATENTS AND PROPRIETARY RIGHTS, INCLUDING EXCLUSIVE RIGHT OF USE, MANUFACTURE AND SALE. BY ACCEPTING THIS DRAWING, THE RECIPIENT AGREES NOT TO DISCLOSE, REPRODUCE OR USE ANY INFORMATION CONTAINED HEREIN WITHOUT THE PRIOR WRITTEN CONSENT OF MACLEAN POWER SYSTEMS

DATE	10/04/16
DRAWN	JWW
CHECKED	

ZIP0039-1XX1

DO NOT SCALE DRAWING SHEET OF