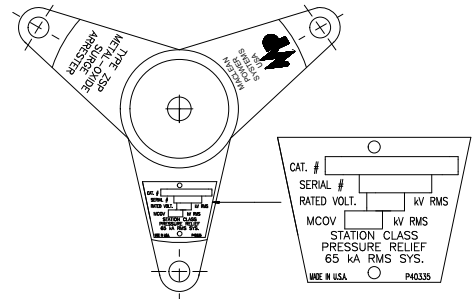
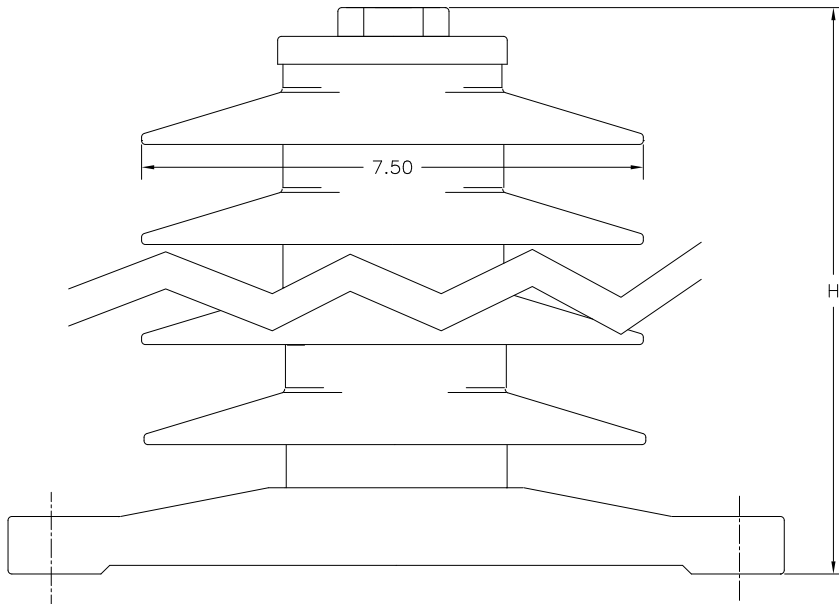
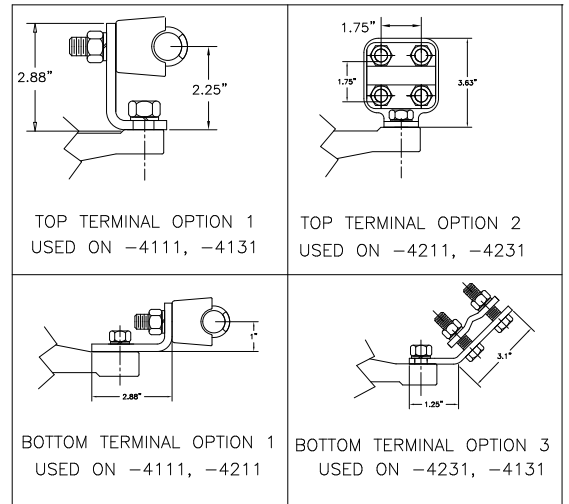


THREE PHASE INSTALLATION LAYOUT



TRIPOD BASE AND NAMEPLATE



PHYSICAL CHARACTERISTICS

HEIGHT IN./(MM)	CREEP IN./(MM)	WEIGHT LBS./(kg)	Min. Clearance - in./(mm)		Fault Withstand
			A	R	
16.0/(406)	46.3/(1177)	36/(16.3)	19/(483)	13/(330)	80 kA

ELECTRICAL CHARACTERISTICS

CATALOG NO.	RATING kV-RMS	MCOV kV-RMS	F.O.W. kV-CREST	MAX SWITCH. kV-CREST	MAX DISCHARGE VOLTAGE (kV-CREST)					
					1.5 kA	3 kA	5 kA	10 kA	20 kA	40 kA
ZSP0039-1XX1	39	31.5	110.0	87.1	90.8	94.6	97.7	103.4	110.0	122.2



**MACLEAN POWER SYSTEMS**

[www.maclepower.com](http://www.maclepower.com)

TYPE ZSP POLYMER  
STATION CLASS  
MOV LIGHTNING ARRESTER  
39 KV RATED  
31.5 KV MCOV

DATE 06/25/15

DRAWN ZA

CHECKED

ZSP0039-1XX1

DO NOT SCALE DRAWING

SHEET 1 OF 1

THIS DRAWING IS THE PROPERTY OF MACLEAN POWER SYSTEMS AND EMBODIES A CONFIDENTIAL PROPRIETARY DESIGN IN WHICH MACLEAN POWER SYSTEMS RETAINS ALL PATENTS AND PROPRIETARY RIGHTS, INCLUDING EXCLUSIVE RIGHT OF USE, MANUFACTURE AND SALE. BY ACCEPTING THIS DRAWING, THE RECIPIENT AGREES NOT TO DISCLOSE, REPRODUCE OR USE ANY INFORMATION CONTAINED HEREIN WITHOUT THE PRIOR WRITTEN CONSENT OF MACLEAN POWER SYSTEMS.