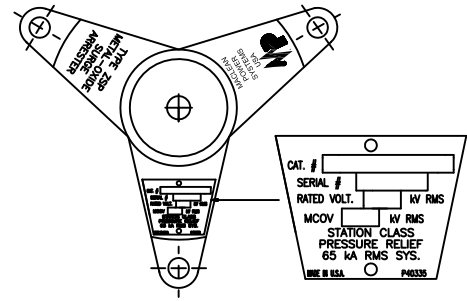
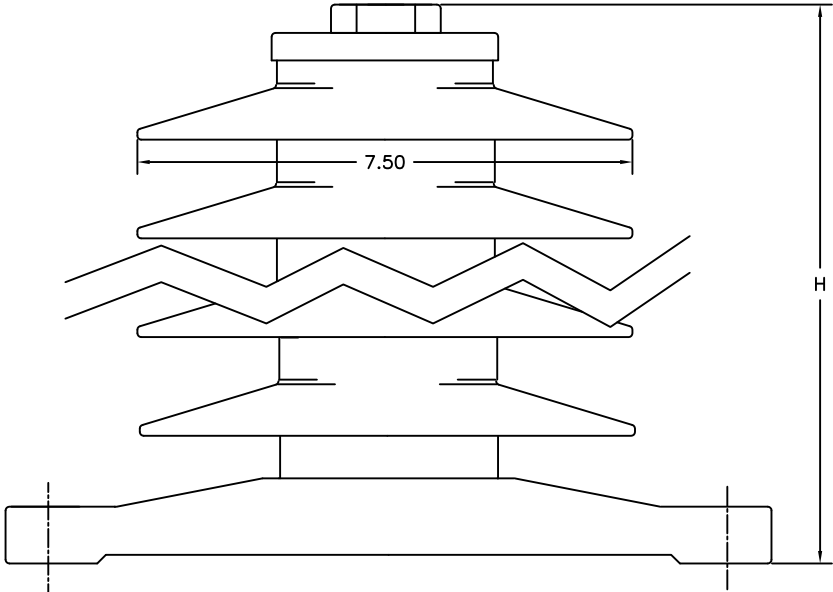
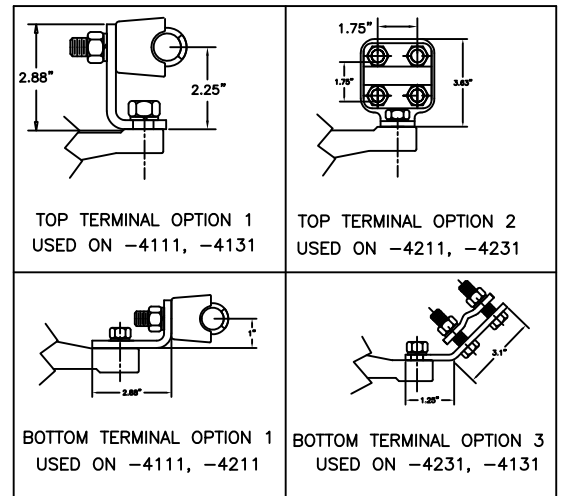


THREE PHASE INSTALLATION LAYOUT



TRIPOD BASE AND NAMEPLATE



PHYSICAL CHARACTERISTICS

HEIGHT IN./ (MM)	CREEP IN./ (MM)	WEIGHT LBS./ (kg)	Min. Clearance - in./ (mm)		Fault Withstand
			A	R	
18.1/ (461)	54.4/ (1382)	41/ (18.6)	20/ (508)	14/ (356)	80 kA

ELECTRICAL CHARACTERISTICS

CATALOG NO.	RATING kV-RMS	MCOV kV-RMS	F.O.W. kV-CREST	MAX SWITCH. kV-CREST	MAX DISCHARGE VOLTAGE (kV-CREST)					
					1.5 kA	3 kA	5 kA	10 kA	20 kA	40 kA
ZSP0042-1XX1	42	34	123.1	97.4	101.6	105.8	109.3	115.7	123.1	136.8

MACLEAN POWER SYSTEMS
www.maclepower.com

TYPE ZSP POLYMER
STATION CLASS
MOV LIGHTNING ARRESTER
42 KV RATED
34 KV MCOV

DATE	12/20/16	ZSP0042-1XX1	
DRAWN	JWW		
CHECKED			
		DO NOT SCALE DRAWING	SHEET 1 OF 1

THIS DRAWING IS THE PROPERTY OF MACLEAN POWER SYSTEMS AND EMBODIES A CONFIDENTIAL PROPRIETARY DESIGN IN WHICH MACLEAN POWER SYSTEMS RETAINS ALL PATENTS AND PROPRIETARY RIGHTS, INCLUDING EXCLUSIVE RIGHT OF USE, MANUFACTURE AND SALE. BY ACCEPTING THIS DRAWING, THE RECIPIENT AGREES NOT TO DISCLOSE, REPRODUCE OR USE ANY INFORMATION CONTAINED HEREIN WITHOUT THE PRIOR WRITTEN CONSENT OF MACLEAN POWER SYSTEMS.