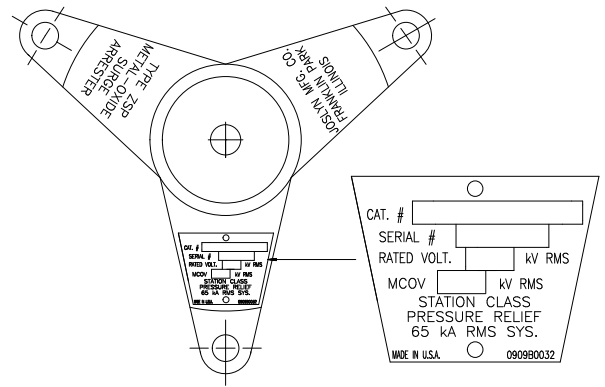
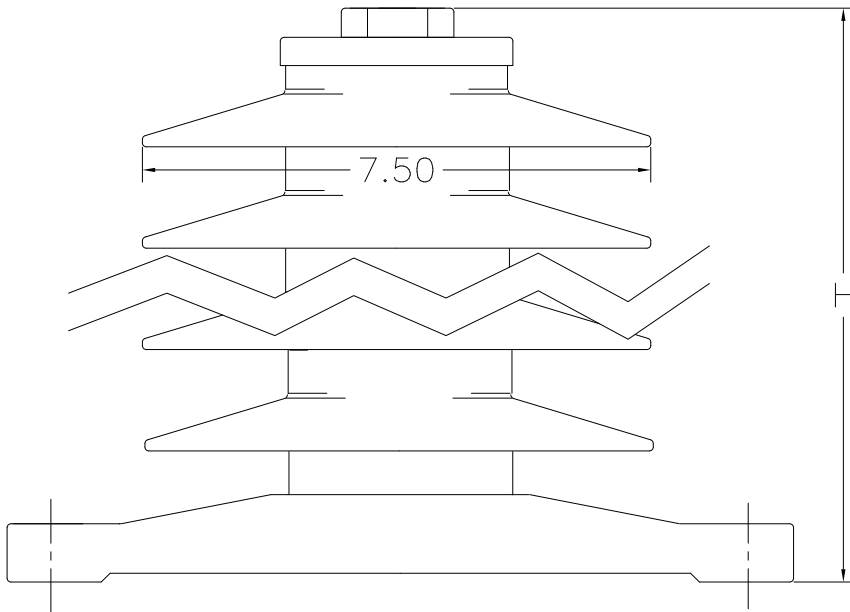


THREE PHASE INSTALLATION LAYOUT



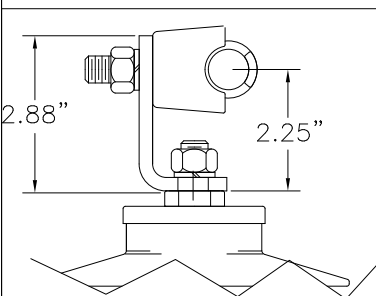
TRIPOD BASE AND NAMEPLATE



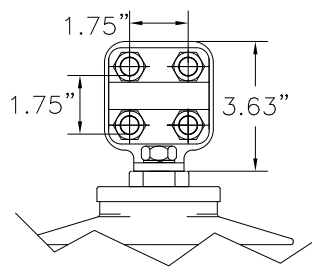
PHYSICAL CHARACTERISTICS

HEIGHT IN./(MM)	CREEP IN./(MM)	WEIGHT LBS./(KG)
20.8/(529)	62.6/(1590)	46.7/(21.2)

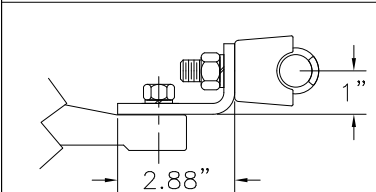
Min. Clearance - in./(mm)		Fault Withstand
A	R	
23/(584)	17/(432)	80 kA



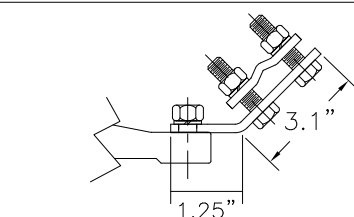
TOP TERMINAL OPTION 1
USED ON -1111, -1131



TOP TERMINAL OPTION 2
USED ON -1211, -1231



BOTTOM TERMINAL OPTION 1
USED ON -1111, -1211



BOTTOM TERMINAL OPTION 3
USED ON -1231, -1131

ELECTRICAL CHARACTERISTICS

RATING kV-RMS	MCOV kV-RMS	F.O.W. kV-CREST	MAX SWITCH. kV-CREST
54	42	152.1	120.4

MAX DISCHARGE VOLTAGE (kV-CREST)					
1.5 kA	3 kA	5 kA	10 kA	20 kA	40 kA
125.6	130.8	135.1	143.0	152.1	169.0



MACLEAN POWER SYSTEMS

www.maclepower.com

POLYMER HOUSED GAPLESS METAL OXIDE
ZSP STATION CLASS ARRESTER
54 KV RATED
42 KV MCOV

THIS DRAWING IS THE PROPERTY OF JOSLYN MANUFACTURING CO. AND EMBODIES A CONFIDENTIAL PROPRIETARY DESIGN IN WHICH JOSLYN RETAINS ALL PATENTS AND PROPRIETARY RIGHTS, INCLUDING EXCLUSIVE RIGHT OF USE, MANUFACTURE AND SALE. BY ACCEPTING THIS DRAWING, THE RECIPIENT AGREES NOT TO DISCLOSE, REPRODUCE OR USE ANY INFORMATION CONTAINED HEREIN WITHOUT THE PRIOR WRITTEN CONSENT OF JOSLYN.

DATE	02/02/15
DRAWN	ZA
CHECKED	

ZSP0054-1XX1

DO NOT SCALE DRAWING SHEET OF