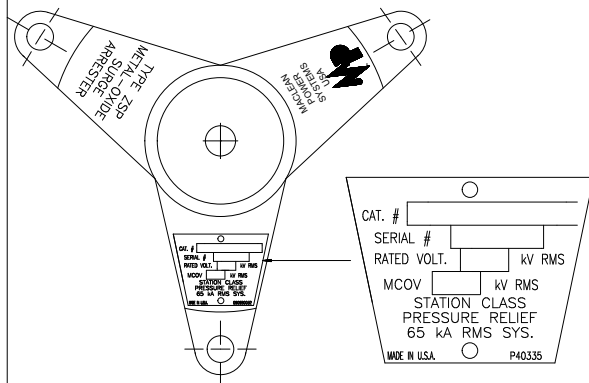
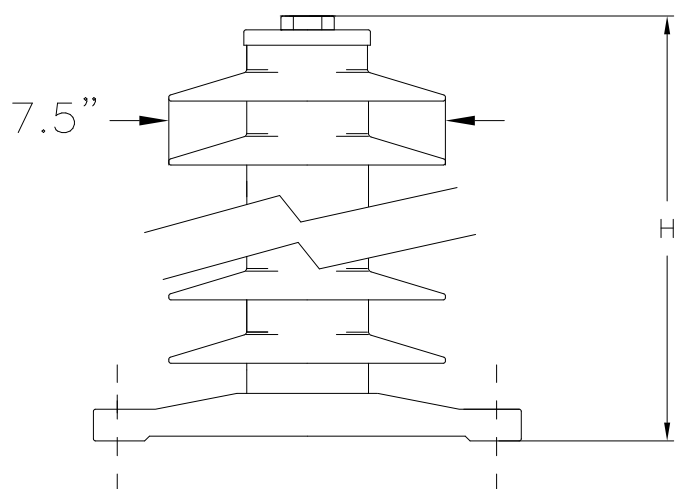


THREE PHASE INSTALLATION LAYOUT



TRIPOD BASE AND NAMEPLATE



PHYSICAL CHARACTERISTICS

HEIGHT IN./(MM)	CREEP IN./(MM)	WEIGHT LBS./(kg)
35.0/(889)	110.4/(2804)	77/(34.9)

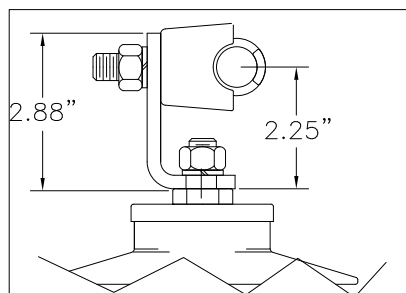
Min. Clearance - in./(mm)		Fault Withstand
A	R	
32/(813)	26/(660)	80 kA

ELECTRICAL CHARACTERISTICS

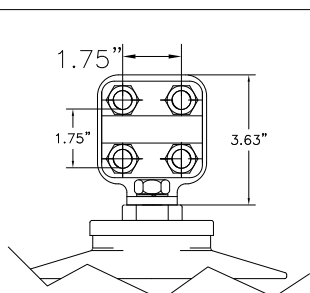
RATING kV-RMS	MCOV kV-RMS	F.O.W. kV-CREST	MAX SWITCH. kV-CREST
90	74	256.8	203.3

MAX DISCHARGE VOLTAGE (kV-CREST)

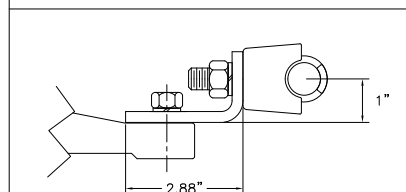
1.5 kA	3 kA	5 kA	10 kA	20 kA	40 kA
212.0	220.8	228.1	241.4	256.8	285.3



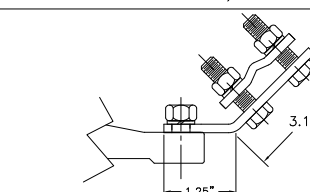
TOP TERMINAL OPTION 1  
USED ON -1111, -1131



TOP TERMINAL OPTION 2  
USED ON -1211, -1231



BOTTOM TERMINAL OPTION 1  
USED ON -1111, -1211



BOTTOM TERMINAL OPTION 3  
USED ON -1231, -1131



**MACLEAN POWER SYSTEMS**

[www.maclepower.com](http://www.maclepower.com)

POLYMER HOUSED GAPLESS METAL OXIDE  
ZSP STATION CLASS ARRESTER  
90 KV RATED  
74 KV MCOV

NOT TO SCALE

THIS DRAWING IS THE PROPERTY OF MACLEAN POWER SYSTEMS AND EMBODIES A CONFIDENTIAL PROPRIETARY DESIGN IN WHICH MPS RETAINS ALL PATENTS AND PROPRIETARY RIGHTS, INCLUDING EXCLUSIVE RIGHT OF USE, MANUFACTURE AND SALE. BY ACCEPTING THIS DRAWING, THE RECIPIENT AGREES NOT TO DISCLOSE, REPRODUCE, OR USE ANY INFORMATION CONTAINED HEREIN WITHOUT THE PRIOR WRITTEN CONSENT OF MPS.

DATE 06/16/14

DRAWN ZA

CHECKED

ZSP0090-1XX1-74

DO NOT SCALE DRAWING

SHEET 1 OF 1