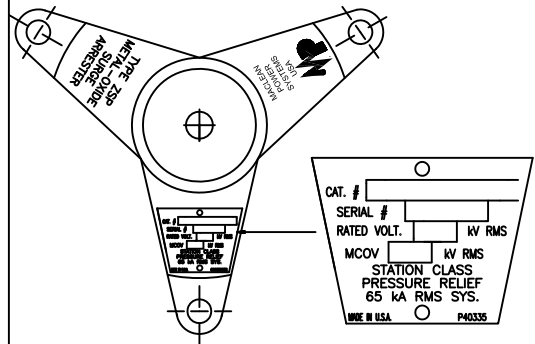
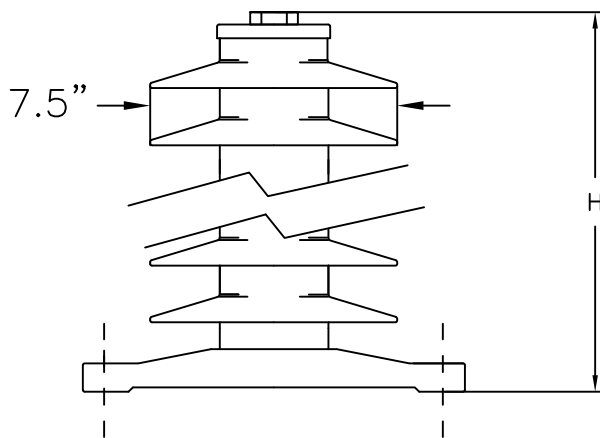


MOUNTING HOLES ARE 0.56" (42mm) FOR 1/2" BOLTS
THREE PHASE INSTALLATION LAYOUT



TRIPOD BASE AND NAMEPLATE



PHYSICAL CHARACTERISTICS

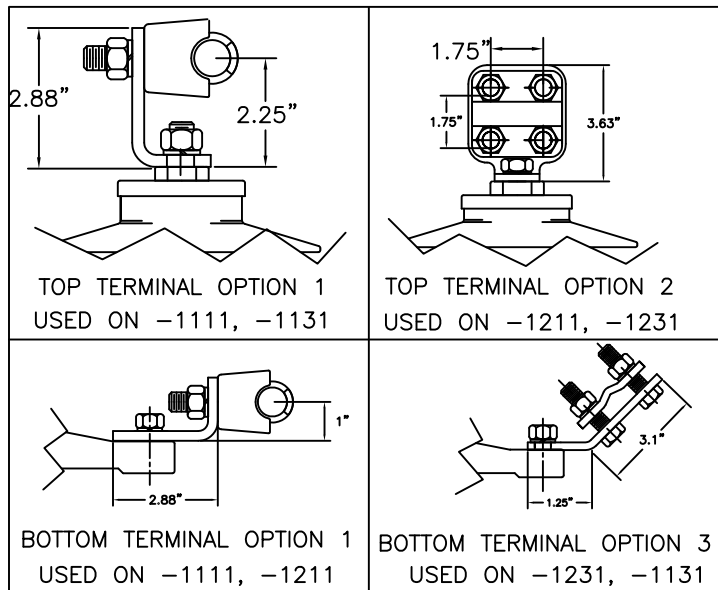
HEIGHT IN./(MM)	CREEP IN./(MM)	WEIGHT LBS./(kg)
45.1/(1147)	145.0/(3679)	99.0/(44.9)

Min. Clearance - in./(mm)		Fault Withstand
A	R	
40/(1016)	35/(889)	80 kA

ELECTRICAL CHARACTERISTICS

RATING kV-RMS	MCOV kV-RMS	F.O.W. kV-CREST	MAX SWITCH. kV-CREST
120	102	349.4	276.5

MAX DISCHARGE VOLTAGE (kV-CREST)					
1.5 kA	3 kA	5 kA	10 kA	20 kA	40 kA
288.4	300.3	310.3	328.4	349.3	388.2



MP **MACLEAN POWER SYSTEMS**
www.maclepower.com

POLYMER HOUSED GAPLESS METAL OXIDE
ZSP STATION CLASS ARRESTER
120 KV RATED
102 KV MCOV
NOT TO SCALE

THIS DRAWING IS THE PROPERTY OF MACLEAN POWER SYSTEMS AND EMBODIES A CONFIDENTIAL PROPRIETARY DESIGN IN WHICH MPS RETAINS ALL PATENTS AND PROPRIETARY RIGHTS, INCLUDING EXCLUSIVE RIGHT OF USE, MANUFACTURE AND SALE. BY ACCEPTING THIS DRAWING, THE RECIPIENT AGREES NOT TO DISCLOSE, REPRODUCE, OR USE ANY INFORMATION CONTAINED HEREIN WITHOUT THE PRIOR WRITTEN CONSENT OF MPS.

DATE 12/20/16	ZSP0120-1XX1-102
DRAWN JWW	
CHECKED	DO NOT SCALE DRAWING SHEET 1 OF 1