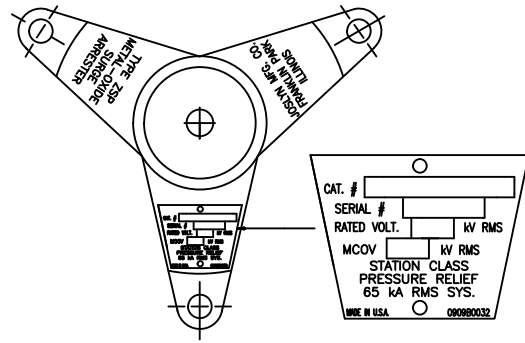
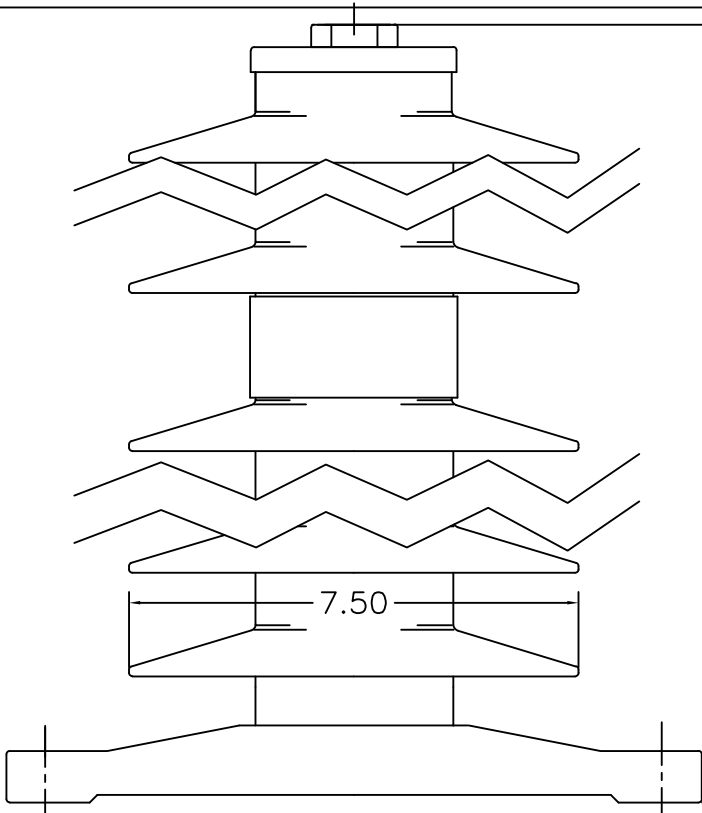


THREE PHASE INSTALLATION LAYOUT



TRIPOD BASE AND NAMEPLATE

CAT. #	
SERIAL #	
RATED VOLT.	kV RMS
MCOV	kV RMS
STATION CLASS	
PRESSURE RELIEF	
65 kA RMS SYS.	
MADE IN U.S.A.	09090032



PHYSICAL CHARACTERISTICS

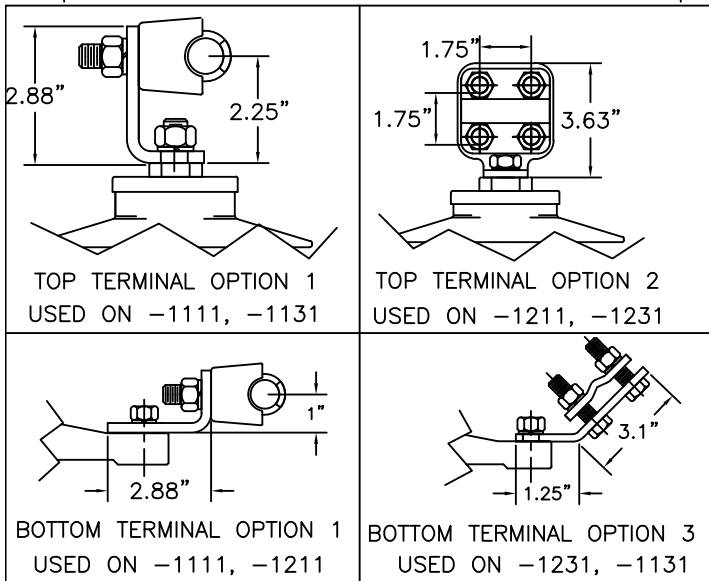
HEIGHT IN./(MM)	CREEP IN./(MM)	WEIGHT LBS./(kg)
45.4/(1153)	145.9/(3706)	100/(45.4)

Min. Clearance - in./(mm)		Fault Withstand
A	R	
40/(1016)	34/(875)	80 kA

ELECTRICAL CHARACTERISTICS

RATING kV-RMS	MCOV kV-RMS	F.O.W. kV-CREST	MAX SWITCH. kV-CREST
132	106	366	289.3

MAX DISCHARGE VOLTAGE (kV-CREST)					
1.5 kA	3 kA	5 kA	10 kA	20 kA	40 kA
302	314	325	344	365.5	406



TOP TERMINAL OPTION 1  
USED ON -1111, -1131

TOP TERMINAL OPTION 2  
USED ON -1211, -1231

BOTTOM TERMINAL OPTION 1  
USED ON -1111, -1211

BOTTOM TERMINAL OPTION 3  
USED ON -1231, -1131

JOSLYN  
MANUFACTURING CO.

POLYMER HOUSED GAPLESS METAL OXIDE  
ZSP STATION CLASS ARRESTER  
132 KV RATED  
106 KV MCOV

THIS DRAWING IS THE PROPERTY OF JOSLYN MANUFACTURING CO. AND EMBODIES A CONFIDENTIAL PROPRIETARY DESIGN IN WHICH JOSLYN RETAINS ALL PATENTS AND PROPRIETARY RIGHTS, INCLUDING EXCLUSIVE RIGHT OF USE, MANUFACTURE AND SALE. BY ACCEPTING THIS DRAWING, THE RECIPIENT AGREES NOT TO DISCLOSE, REPRODUCE OR USE ANY INFORMATION CONTAINED HEREIN WITHOUT THE PRIOR WRITTEN CONSENT OF JOSLYN.

DATE	08/30/16	ZSP0132-1XX1
DRAWN	JWW	
CHECKED		
DO NOT SCALE DRAWING		SHEET OF