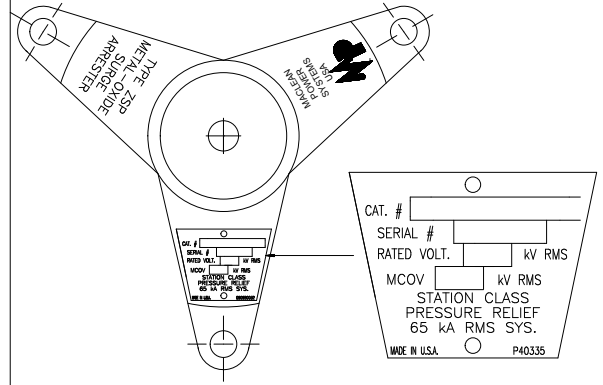
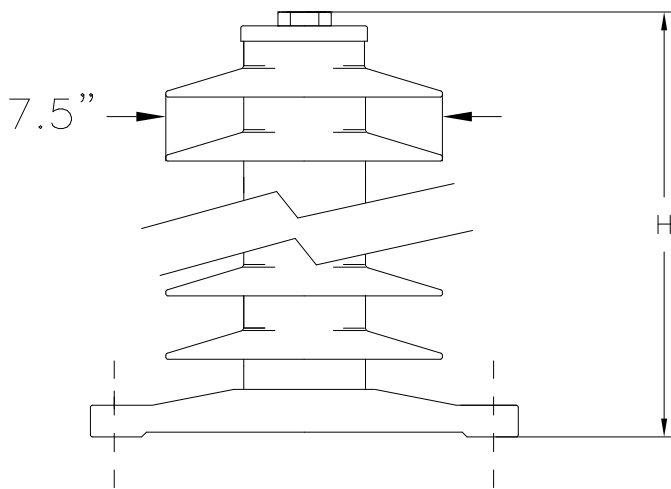


THREE PHASE INSTALLATION LAYOUT



TRIPOD BASE AND NAMEPLATE



PHYSICAL CHARACTERISTICS

HEIGHT IN./(MM)	CREEP IN./(MM)	WEIGHT LBS./(kg)
57.3/(1455)	186.0/(4724)	146/(66.2)

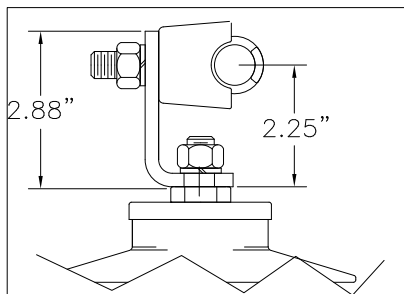
Min. Clearance - in./(mm)		Fault Withstand
A	R	
63/(1600)	53/(1346)	80 kA

ELECTRICAL CHARACTERISTICS

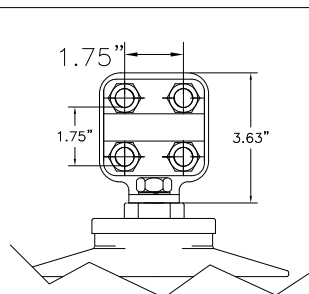
RATING kV-RMS	MCOV kV-RMS	F.O.W. kV-CREST	MAX SWITCH. kV-CREST
150	121	432.8	342.5

MAX DISCHARGE VOLTAGE (kV-CREST)

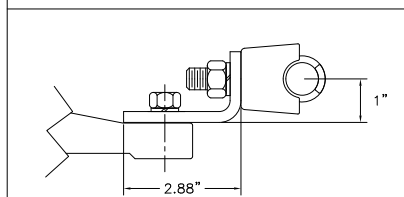
1.5 kA	3 kA	5 kA	10 kA	20 kA	40 kA
357.3	372.0	384.4	406.8	432.8	480.8



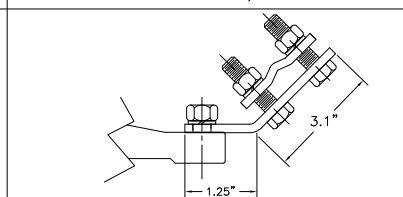
TOP TERMINAL OPTION 1
USED ON -1111, -1131



TOP TERMINAL OPTION 2
USED ON -1211, -1231



BOTTOM TERMINAL OPTION 1
USED ON -1111, -1211



BOTTOM TERMINAL OPTION 3
USED ON -1231, -1131



MACLEAN POWER SYSTEMS

www.macleanpower.com

POLYMER HOUSED GAPLESS METAL OXIDE
ZSP STATION CLASS ARRESTOR
150 KV RATED
121 KV MCOV

NOT TO SCALE

THIS DRAWING IS THE PROPERTY OF MACLEAN POWER SYSTEMS AND EMBODIES A CONFIDENTIAL PROPRIETARY DESIGN IN WHICH MPS RETAINS ALL PATENTS AND PROPRIETARY RIGHTS, INCLUDING EXCLUSIVE RIGHT OF USE, MANUFACTURE AND SALE. BY ACCEPTING THIS DRAWING, THE RECIPIENT AGREES NOT TO DISCLOSE, REPRODUCE, OR USE ANY INFORMATION CONTAINED HEREIN WITHOUT THE PRIOR WRITTEN CONSENT OF MPS.

DATE 07/18/14

DRAWN ZA

CHECKED

ZSP0150-1XX1

DO NOT SCALE DRAWING

SHEET 1 OF 1