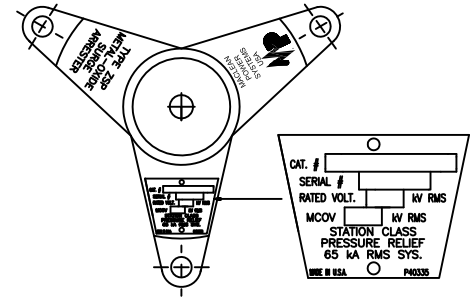
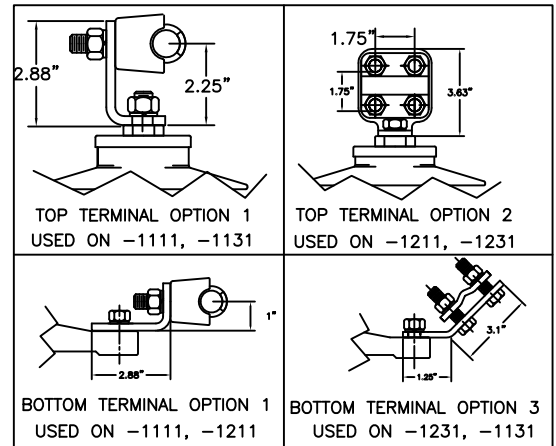


THREE PHASE INSTALLATION LAYOUT



TRIPOD BASE AND NAMEPLATE



PHYSICAL CHARACTERISTICS

HEIGHT IN./(MM)	CREEP IN./(MM)	WEIGHT LBS./(kg)	Min. Clearance - in./(mm)		Fault Withstand
			A	R	
64.1/(1629)	209.0/(5308)	154/(69.9)	65/(1651)	54/(1372)	80 kA

ELECTRICAL CHARACTERISTICS

CATALOG NO.	RATING KV-RMS	MCOV KV-RMS	F.O.W. KV-CREST	MAX SWITCH. KV-CREST	MAX DISCHARGE VOLTAGE (KV-CREST)					
					1.5 kA	3 kA	5 kA	10 kA	20 kA	40 kA
ZSP0172-42X1	172	140	484.6	383.5	400.0	416.6	430.5	455.5	484.6	538.4



**MACLEAN POWER SYSTEMS**

[www.maclepower.com](http://www.maclepower.com)

TYPE ZSP POLYMER  
STATION CLASS  
MOV LIGHTNING ARRESTER  
172 KV RATED  
140 KV MCOV

THIS DRAWING IS THE PROPERTY OF MACLEAN POWER SYSTEMS AND EMBODIES A CONFIDENTIAL PROPRIETARY DESIGN IN WHICH MACLEAN POWER SYSTEMS RETAINS ALL PATENTS AND PROPRIETARY RIGHTS, INCLUDING EXCLUSIVE RIGHT OF USE, MANUFACTURE AND SALE. BY ACCEPTING THIS DRAWING, THE RECIPIENT AGREES NOT TO DISCLOSE, REPRODUCE OR USE ANY INFORMATION CONTAINED HEREIN WITHOUT THE PRIOR WRITTEN CONSENT OF MACLEAN POWER SYSTEMS.

DATE 12/20/16

DRAWN JWW

CHECKED

ZSP0172-4XX1

DO NOT SCALE DRAWING

SHEET 1 OF 1