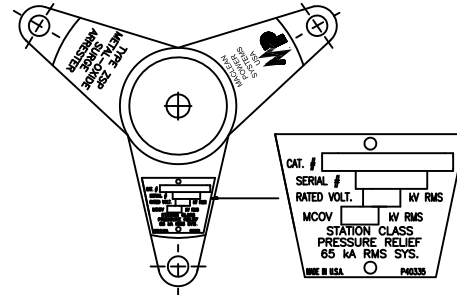
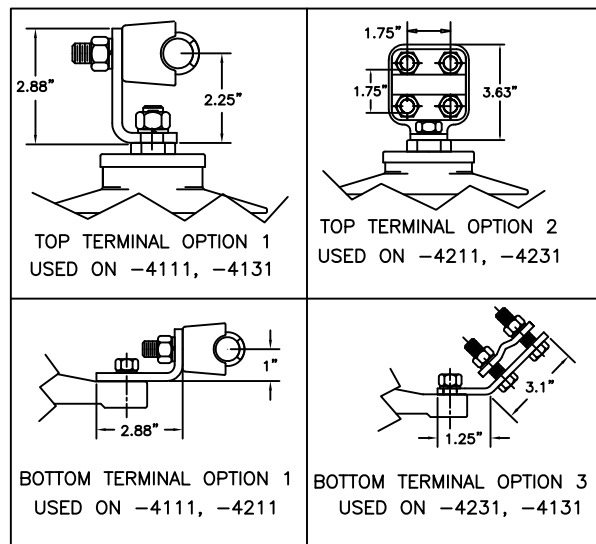


THREE PHASE INSTALLATION LAYOUT



TRIPOD BASE AND NAMEPLATE



PHYSICAL CHARACTERISTICS

HEIGHT IN./ (MM)	CREEP IN./ (MM)	WEIGHT LBS./ (kg)	Min. Clearance - in./ (mm)		Fault Withstand
			A	R	
78/ (1981)	255.7/ (6495)	180/ (81.6)	76/ (1930)	65/ (1651)	80 kA

ELECTRICAL CHARACTERISTICS

CATALOG NO.	RATING kV-RMS	MCOV kV-RMS	F.O.W. kV-CREST	MAX SWITCH. kV-CREST	MAX DISCHARGE VOLTAGE (kV-CREST)					
					1.5 kA	3 kA	5 kA	10 kA	20 kA	40 kA
ZSP0216-4XX1	216	174	577	424	443	466	488	525	580	658

**MP** **MACLEAN POWER SYSTEMS**  
www.maclepower.com

TYPE ZSP POLYMER  
STATION CLASS  
MOV LIGHTNING ARRESTER  
216 KV RATED  
174 KV MCOV

THIS DRAWING IS THE PROPERTY OF MACLEAN POWER SYSTEMS AND EMBODIES A CONFIDENTIAL PROPRIETARY DESIGN IN WHICH MACLEAN POWER SYSTEMS RETAINS ALL PATENTS AND PROPRIETARY RIGHTS, INCLUDING EXCLUSIVE RIGHT OF USE, MANUFACTURE AND SALE. BY ACCEPTING THIS DRAWING, THE RECIPIENT AGREES NOT TO DISCLOSE, REPRODUCE OR USE ANY INFORMATION CONTAINED HEREIN WITHOUT THE PRIOR WRITTEN CONSENT OF MACLEAN POWER SYSTEMS.

DATE	05/29/14	ZSP0216-4XX1
DRAWN	JWW	
CHECKED	DO NOT SCALE DRAWING	SHEET 1 OF 1