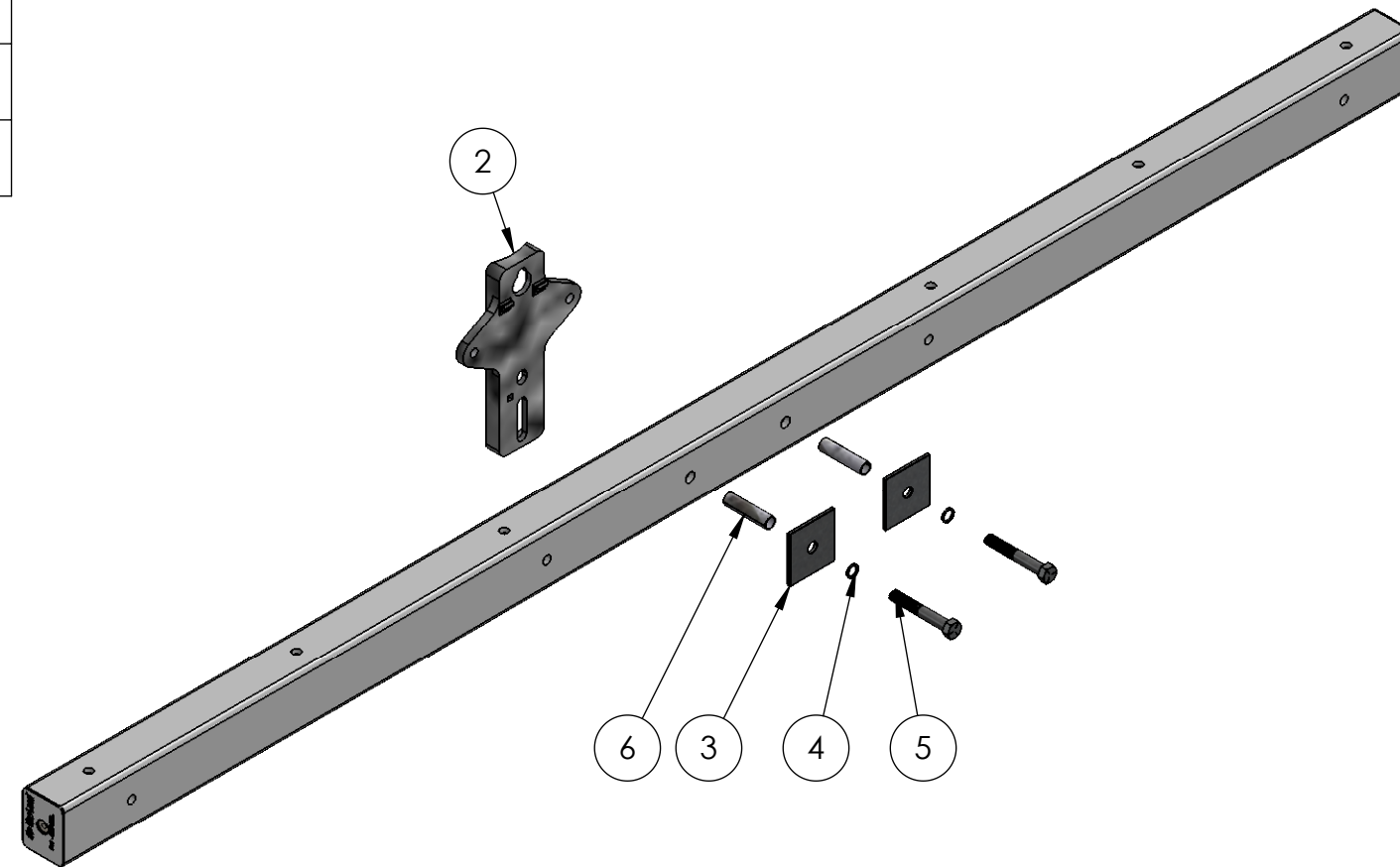



BOM Table(Restructured)			
ITEM NO.	PART NUMBER	DESCRIPTION	QTY.
1	P80010H	PH FOAMED TUBE,120 LG	1
2	P61342	HEAVY DUTY TANGENT BASE, ALUMINUM	1
3	P68244	4" x 4" SQUARE WASHER W/ ϕ 13/16" HOLE	2
4	F338983	3/4" LOCKWASHER	2
5	P55909	3/4" - 10 x 5" GRADE 5 HEX HEAD BOLT	2
6	P23050	3/4" ID x 3 3/4" LG, BOLT SLEEVE	2

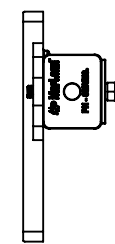
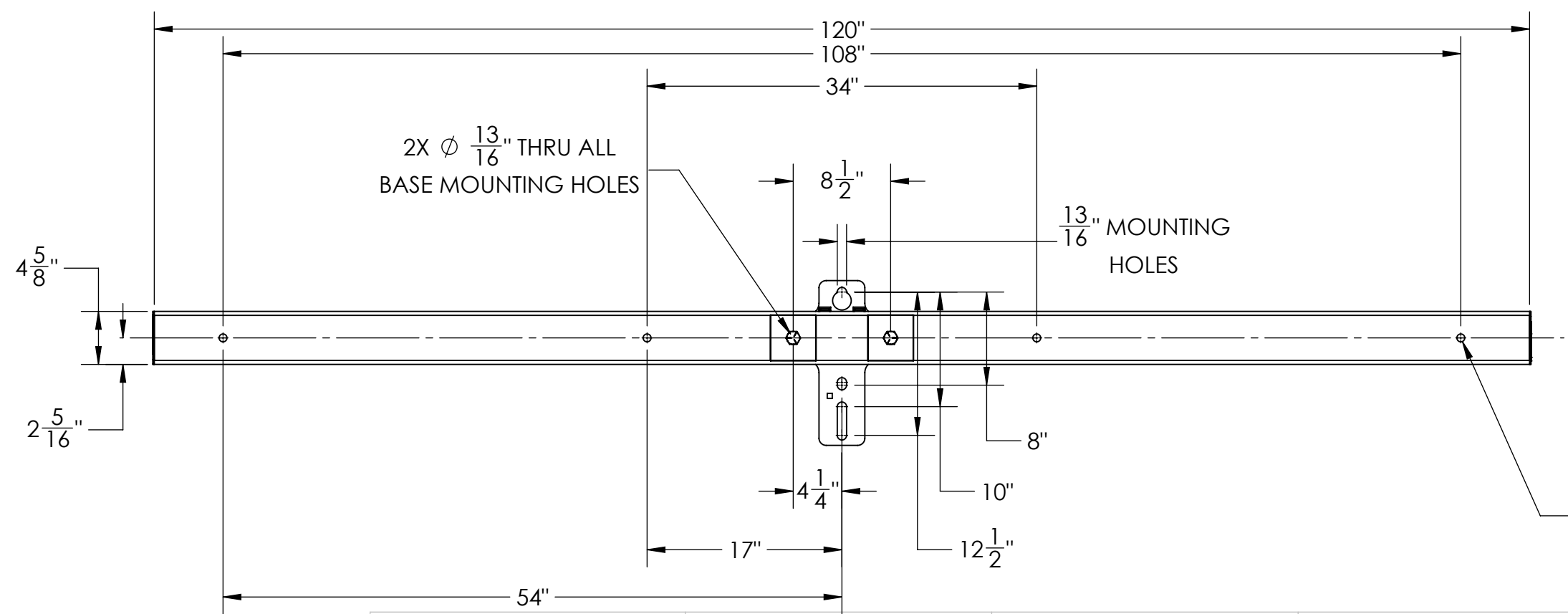
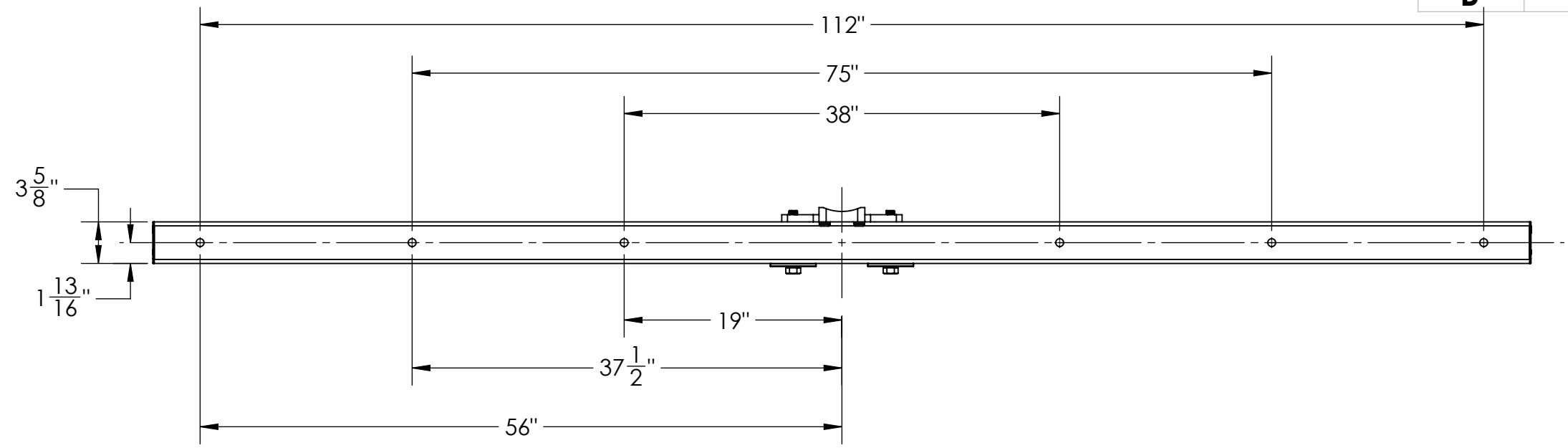
PAPER SIZE		DRAWING NUMBER	
B		3015-025	
REVISIONS			
REV.	ECO BY	ECO DATE	ECO NUMBER



CATALOG NUMBER: PH10ST005	CUSTOMER NUMBER:	PART NUMBER: F490690	DRAWING NUMBER: 3015-025	DO NOT SCALE DRAWING
PHYSICAL PROPERTIES			SHEET: 1 OF 2	CAD GENERATED DRAWING DO NOT MANUALLY UPDATE
UNLESS OTHERWISE SPECIFIED DIMENSIONS ARE IN: INCHES			DRAWING DESCRIPTION: PH TANGENT CROSSARM, 10 FT LG, ALUMINUM BASE	DESIGN DATE: 7/18/18
MATERIAL:		TOLERANCES ARE:		DRAWN BY: PNR
APPROX. WEIGHT :	57 LBS	XX +/- 1/4		ENGINEER: prollins
VOLUME:	IN3	X/XX +/- 1/32		APPROVED: 07/18/18
		ANGLES +/- 1°		SCALE: 1:12
 7801 PARK PLACE RD. YORK, SC. 29745 TEL. (803) 628-2100 FAX: (803) 628-2139			PRODUCT LINE: CROSSARMS	

THIS DRAWING CONTAINS CONFIDENTIAL INFORMATION THAT IS THE PROPERTY OF MACLEAN POWER, L.L.C. ("MACLEAN"). USE OF MACLEAN'S CONFIDENTIAL INFORMATION WITHOUT MACLEAN'S EXPRESS WRITTEN CONSENT IS STRICTLY PROHIBITED AND MAY EXPOSE YOU TO LEGAL LIABILITY. IF YOU BELIEVE THAT YOU RECEIVED THIS MATERIAL IN ERROR, PLEASE DESTROY IT OR RETURN IT TO "MACLEAN POWER, L.L.C., 7801 PARK PLACE RD., YORK, SOUTH CAROLINA 29745, USA."

PAPER SIZE	DRAWING NUMBER
B	3015-025



CATALOG NUMBER: PH10ST005	CUSTOMER NUMBER:	PART NUMBER: F490690	DRAWING NUMBER: 3015-025	DO NOT SCALE DRAWING
-------------------------------------	------------------	--------------------------------	------------------------------------	----------------------

PHYSICAL PROPERTIES		UNLESS OTHERWISE SPECIFIED DIMENSIONS ARE IN: INCHES	 7801 PARK PLACE RD. YORK, SC. 29745 TEL. (803) 628-2100 FAX: (803) 628-2139	SHEET: 2 OF 2	CAD GENERATED DRAWING DO NOT MANUALLY UPDATE
MATERIAL:	APPROX. WEIGHT : 57 LBS	TOLERANCES ARE: XX +/- 1/4 X/XX +/- 1/32 ANGLES +/- 1°		DRAWING DESCRIPTION: PH TANGENT CROSSARM, 10 FT LG, ALUMINUM BASE	DESIGN DATE: 7/18/18
VOLUME: IN3			PRODUCT LINE: CROSSARMS	DRAWN BY: PNR	DESIGN DATE: 7/18/18
				ENGINEER: prollins	DO NOT MANUALLY UPDATE
				APPROVED: 07/18/18	DESIGN DATE: 7/18/18
				SCALE: 1:12	DO NOT MANUALLY UPDATE

THIS DRAWING CONTAINS CONFIDENTIAL INFORMATION THAT IS THE PROPERTY OF MACLEAN POWER, L.L.C. ("MACLEAN"). USE OF MACLEAN'S CONFIDENTIAL INFORMATION WITHOUT MACLEAN'S EXPRESS WRITTEN CONSENT IS STRICTLY PROHIBITED AND MAY EXPOSE YOU TO LEGAL LIABILITY. IF YOU BELIEVE THAT YOU RECEIVED THIS MATERIAL IN ERROR, PLEASE DESTROY IT OR RETURN IT TO "MACLEAN POWER, L.L.C., 7801 PARK PLACE RD., YORK, SOUTH CAROLINA 29745, USA."